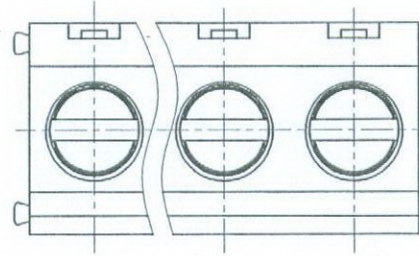


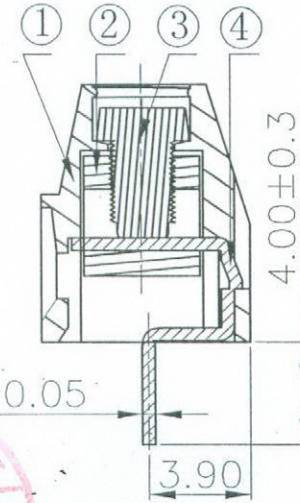
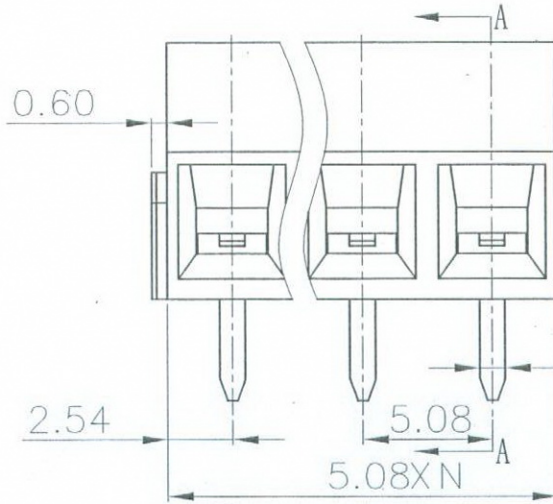
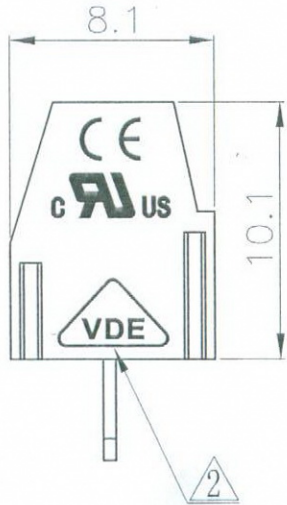


REVISION RECORD					
REV	ECO	DESCRIPTION	DRFT	DATE	
△		Drawing Revise	Haoyh	02/27/06	
△		增加VDE、CE标志	LJH	11/16/07	



- Notes:
1. pitch: 5.08mm poles:2-24P
 2. Rated voltage/current:UL 300V/12A
VDE 250V/15A
 3. Insulation resistance: 5000MΩ/DC1000V
 4. Wrthstanding voltage: AC2000V/1Min
 5. Wire range: 26-14AWG 1.5mm²
 6. Temp. Range: -40° C~+105° C
 7. Torque: M2.5 4.08kgf.cm
 8. Undimensioned Tolerances:

Pitch range in mm		Nominal dimension range in mm					
to	over	to	over	to	over	to	
6	10	30	60	100	150	0.05/0.10	
±0.10	±0.15	±0.25	±0.2	±0.3	±0.5	±0.7	



截面 A-A

4	DG127 Pin header	4028B00010 (H)	XX	Brass	SnCe
3	DG127"-Screws-M2.5	S000001450 (H)	XX	Steel	Cr ³⁺ Zn
2	DG127 Brass cage	X000000170 (H)	XX	Brass	Ni plated

ITEM	NAME OF PART	NO. OF PART	Q'TY	MATERIAL	NOTES
1	DG127-5.08-Housing	4052A0YXXA (H)	1	PA66	UL94V-0

DFTO: DZJ CHKD: <i>Hang</i> MFO: <i>lsk</i>	DATE: 10/10/05* DATE: 01/07/08 DATE: 01/10/08	宁波高正电子有限公司 DEGSON® DEGSON ELECTRONICS CO., LTD
TOLERANCES EXCEPT AS NOTED .0 ± .00 ± .000 ±		NAME: DG127-5.08-XXP-1Y-00A(H) DRAWING NO. DG127-5.08-E04 /PART NO.
ANGLES ± 1° THIRD ANGLE PROJECTION		G.E.: FINISH: SCALE: 1:1
DO NOT SCALE DRAWING		SHEET 1 OF 1