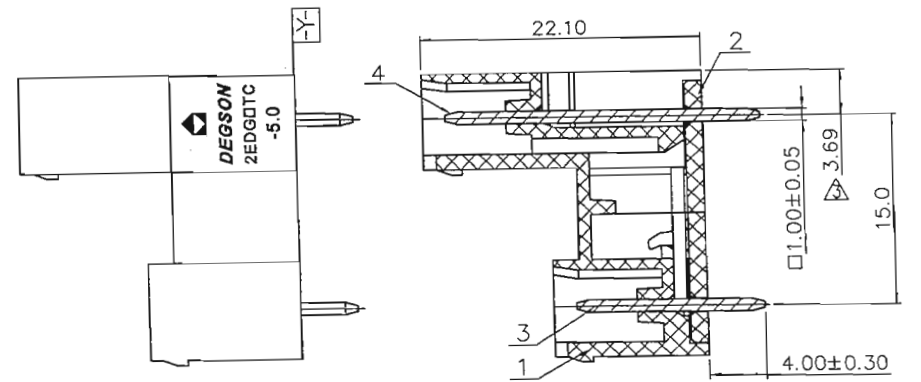
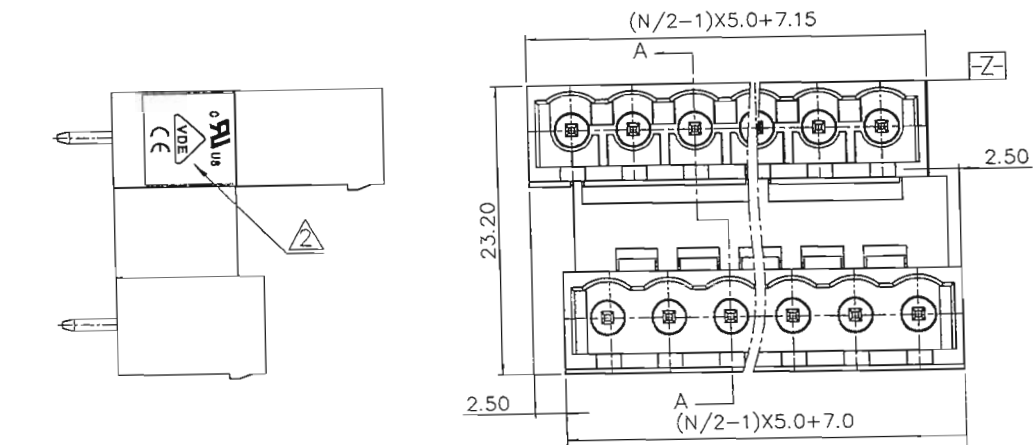


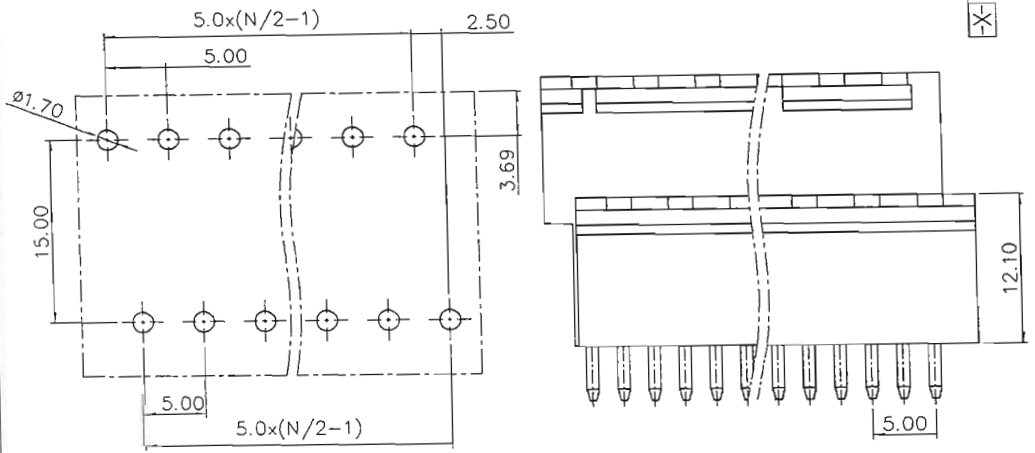


REVISION RECORD				
REV	ECN	DESCRIPTION	DRFT	DATE
△		品名、料号增加环保标示“(出)”	LJH	12/11/07
△		增加VDE刻字	Zengy	11/12/08
△	14-0107	黄铜变紫铜, 料号变更; 工频耐压变更为额定冲击电压, 加尺寸变更	HHJ	12/17/14



- NOTES:
1. DIMENSION SHALL BE INTERPRETED PER ASME Y14.5-2009.
 2. PITCH: 5.0MM ,POLES: ONE-BLOCK FOR 4-24P INTER LOCKING FOR 24-48P
 3. RATED VOLTAGE/CURRENT: UL 300V/15A VDE 320V/10A
 4. OPERATION TEMPERATURES: -40℃ ~ +105℃
 5. RATED IMPULSE VOLTAGE: 4.0KV
 6. INSULATION RESISTANCE: 5000MΩ/DC1000V
 7. UNDIMENSIONED TOLERANCES:

Pitch range in mm		Nominal dimension range in mm				
to	over	to	over	over	over	
6	10	30	60	100	150	⌒
6	10	24	30	60	150	▭
±0.10	±0.15	±0.25	±0.2	±0.3	±0.5	±0.7 ±1.0 0.05/10



P.C.B LAYOUT

ITEM	NAME OF PART	NO. OF PART	Q'TY	MATERIAL	NOTES
1	2EDGVT-5.0 housing(Right foot)	1072A0Y(1/2+1)C(H)	1	PA66	>24P
	2EDGVT-5.0 housing(Left foot)	1072A0Y(1/2-1)B(H)	1	PA66	>24P
	2EDGVT-5.0-Housing	1072A0YXXA(H)	1	PA66	≤24P

△	4	2EDGVT-long pin	1032B00040(H)	XX/2	COPPER	Sn Plated
△	3	2EDGV-pin	1007B00330(H)	XX/2	COPPER	Sn Plated
2		2EDGVT-5.0-Cover	1032C0Y(1/2+1)A(H)	1	PA66	>24P
		2EDGVT-5.0-Cover	1032C0Y(1/2-1)A(H)	1	PA66	>24P
		2EDGVT-5.0 Cover	1032C0YXXA(H)	1	PA66	≤24P

DEGSON 宁波高正电子有限公司
DEGSON ELECTRONICS CO., LTD

2EDGVT-5.0-XXP-1Y-00A(H)

APPD: *Axon 12/17/14* TITLE: ASSEMBLY DRAWING
CHKD: *Xm 12/17/14* DRAWING NO.: 2EDGVT-5.0-E01
DRFT: Apple 06/21/06 DO NOT SCALE DRAWING SCALE N/A SHEET 1/1