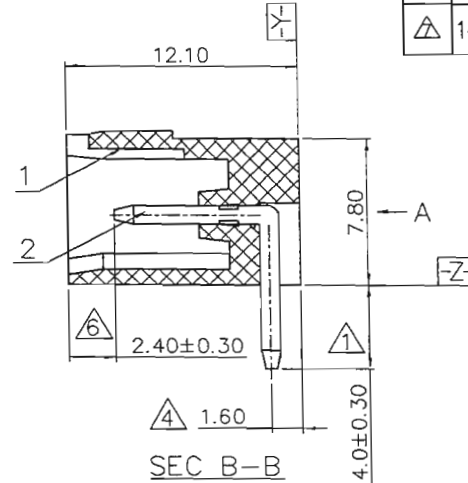
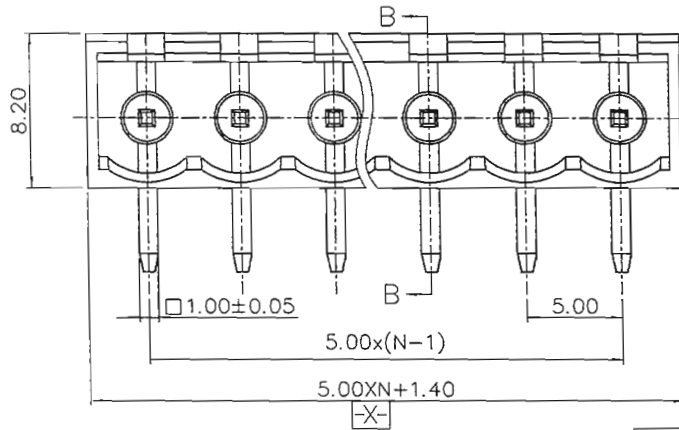
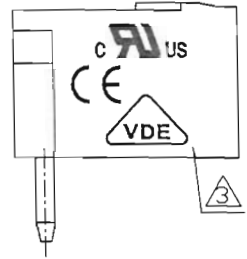
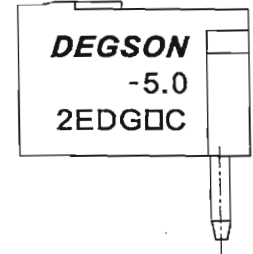


VIEW A



SEC B-B

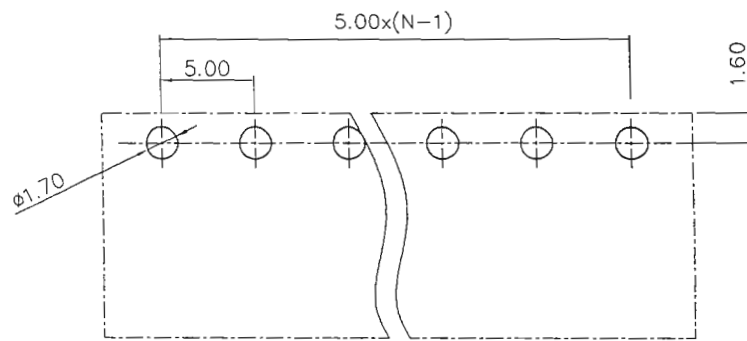


REVISION RECORD				
REV	ECN	DESCRIPTION	DRFT	DATE
△		4.5±0.1变更到4.0±0.3	DZJ	06/14/05
△		图面更新	CSX	04/08/06
△		增加VDE、CE刻字	Yej	02/26/08
△		更新图面	LJH	04/16/08
△		增加自动化方针	WLM	09/23/08
△	10-0329	增加标注尺寸	COCO	09/0/08
△	14-0107	黄铜变紫铜, 料号变更; 工频耐压变更为额定冲击电压	XLM	06/23/14

NOTES:

1. DIMENSION SHALL BE INTERPRETED PER ASME Y14.5-2009.
2. PITCH: 5.0MM, POLES: 2-24P
3. RATED VOLTAGE/CURRENT: UL 300V/15A VDE 320V/20A
4. OPERATION TEMPERATURES: -40°C~+105°C
5. RATED IMPULSE VOLTAGE: 4.0KV
6. INSULATION RESISTANCE: 5000MΩ/DC1900V
7. UNDIMENSIONED TOLERANCES:

Pitch range in mm			Nominal dimension range in mm				
to	over	over	to	over	over	over	
6	6 to 10	10 to 24	30	30 to 60	60 to 100	100 to 150	
±0.10	±0.15	±0.25	±0.2	±0.3	±0.5	±0.7	±1.0
							0.05/0.10



P.C.B LAYOUT

ITEM	NAME OF PART	NO. OF PART	Q'TY	MATERIAL	NOTES
△ 5	2 2EDGR(A)-Pin header Automatic assembly	1008B00340(H)	XX	COPPER	Sn Plated
△	2 2EDGR(A)-Pin header Manual assembly	1008B00330(H)	XX	COPPER	Sn Plated
	1 2EDGRC-5.0 Housing	1019A0YXXA(H)	1	PA66	UL94V-0

DETACHED LISTS	← MM (INCH) →	MATERIAL:	宁波高正电子有限公司			
	TOLERANCES EXCEPT AS NOTED	FINISH:	DEGSON® DEGSON ELECTRONICS CO., LTD			
	.X ± .XX ± .XXX ±	PART NO.:	NAME: 2EDGRC-5.0-XXP-1Y-00A(H)			
	ANGLES ± 1°	APPD: <i>Apson 11/22/14</i>	TITLE: ASSEMBLY DRAWING	REV	17	
THIRD ANGLE PROJECTION	CHKD: <i>XLM 12/20/14</i>	DRFT: H/W 05/05/05	DRAWING NO.: 2EDGRC-5.0-E02	DO NOT SCALE DRAWING	SCALE N/A	SHEET 1/1