

BOTTOM VIEW
Detail A

Specifications:
 Current Rating: 5A MAX. for VBUS (A4,A9,B4,B9)
 1.25A MAX. for Vconn PIN(B5 of Plug)
 WITH RETURN PATH THROUGH THE
 CORRESPONDING GND PIN(A1,A12,B1,B12).
 0.25A MAX. for ALL OTHER PIN

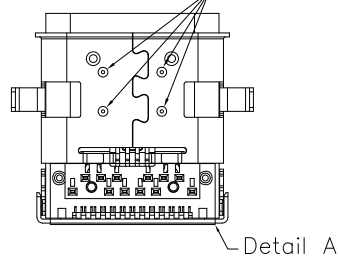
Current Voltage: 30V DC/AC
 Contact Resistance: 40m ohm. Max.
 Insulation Resistance: 100M ohm.Min
 Withstanding Voltage: 100V AC For One Minute
 Operating Temperature Range: -40°C ~ +85°C
 Waterproof Level: IP-X7

Material & Finish:
 Insulator: HI-Temp. Plastic (UL94V-0), Black
 Terminal: Copper Alloy (t=0.15mm)
 Finish: Gold plated on Contact Area, Tin plated
 on Solder Tail, Under Nickel Plated over all.
 Inner Shell: Stainless Steel (t=0.25mm)
 Outer Shell: Stainless Steel (t=0.20mm), Nickel

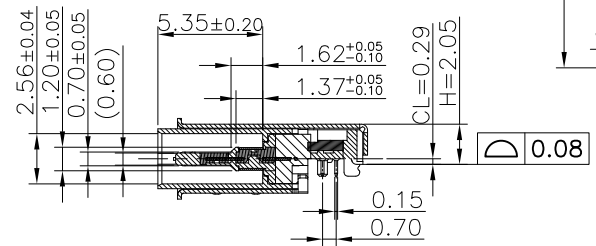
How To Order
 5077CR-24-SMC12-BK-WP-TR

- Tape&Reel
- WP:Waterproof
- BK:Black
- No of Contacts
- C Type R/A

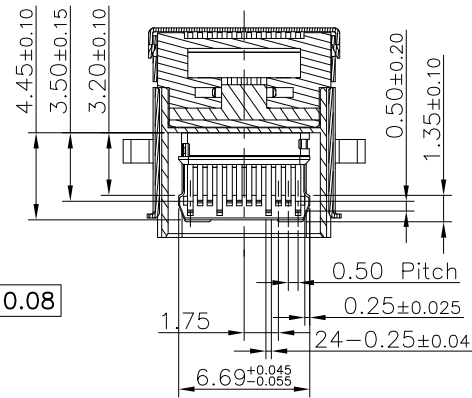
ADD 4 POINTS
 LASER WELDING



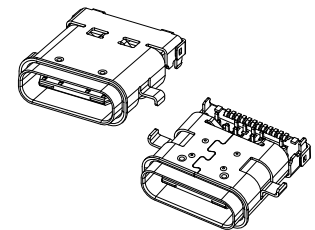
Detail A



SECTION A-A



SECTION B-B



RoHS Compliant

F				DRAWN:	GENERAL TOLERANCE:	Neltron Industrial Co., Ltd.	DESCRIPTION: USB C Type Female 24P SMT+DIP, Waterproof Mid Mount Type	SIZE A4
E			JERRY	.X=±0.20 .XX=±0.15				
D			CHECKED:	UNIT: MM				
C			JERRY	SCALE: 1:1				
B	07-JAN-2022	UPDATE	MEI	APPROVAL:	SHEET: 1/3	PART NO:	5077CR-24-SMC12-BK-WP-TR	
A	19-DEC-2018		JERRY	MIKE	PROJECTION:			
REV	DATE	FILE	BY					

1

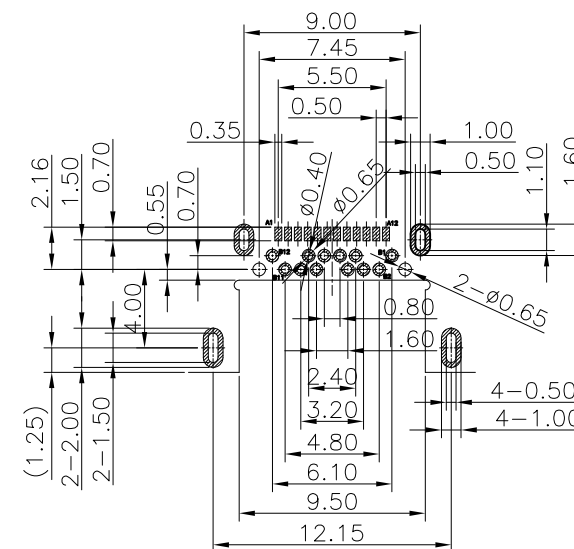
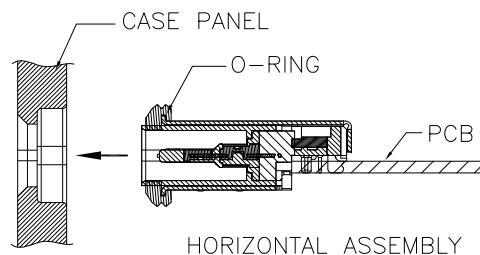
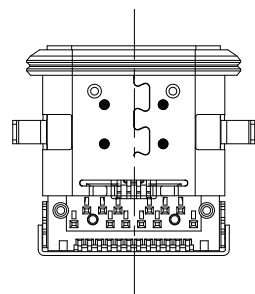
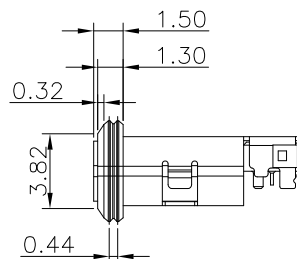
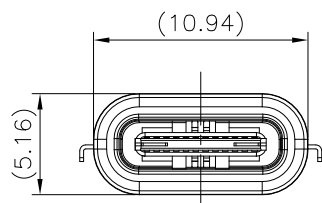
2

3

4


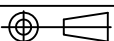
5

Pin	Signal Name	Mating Sequence	Pin	Signal Name	Mating Sequence
A1	GND	First	B12	GND	First
A2	SSTXp1	Second	B11	SSRXp1	Second
A3	SSTXn1	Second	B10	SSRXn1	Second
A4	V _{bus}	First	B9	V _{bus}	First
A5	CC1	Second	B8	SBU2	Second
A6	Dp1	Second	B7	Dn2	Second
A7	Dn1	Second	B6	Dp2	Second
A8	SBU1	Second	B5	CC2	Second
A9	V _{bus}	First	B4	V _{bus}	First
A10	SSRXn2	Second	B3	SSTXn2	Second
A11	SSRXp2	Second	B2	SSTXp2	Second
A12	GND	First	B1	GND	First
SHELL		GND	SHELL		GND



RECOMMEND P.C.B LAYOUT
TOLERANCE : ± 0.05 TOP VIEW

RoHS Compliant

F				DRAWN:	GENERAL TOLERANCE:	 Neltron Industrial Co., Ltd.	DESCRIPTION: USB C Type Female 24P SMT+DIP, Waterproof Mid Mount Type	SIZE A4
E			JERRY	.X \pm 0.20 .XX \pm 0.15				
D			CHECKED:	UNIT: MM				
C			JERRY	SCALE:				
B	07-JAN-2022	UPDATE	MEI	APPROVAL:	SHEET: 2/3	PART NO:	5077CR-24-SMC12-BK-WP-TR	
A	19-DEC-2018		JERRY	MIKE	PROJECTION:			
REV	DATE	FILE	BY					

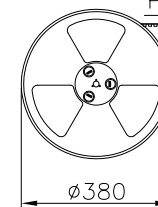
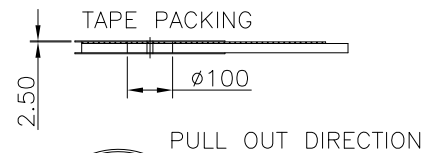
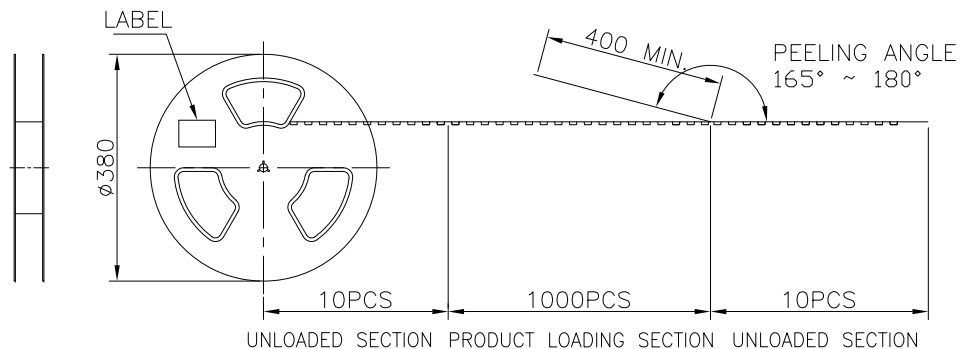
1

2

3

4

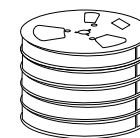
5



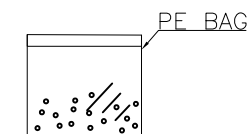
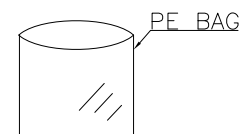
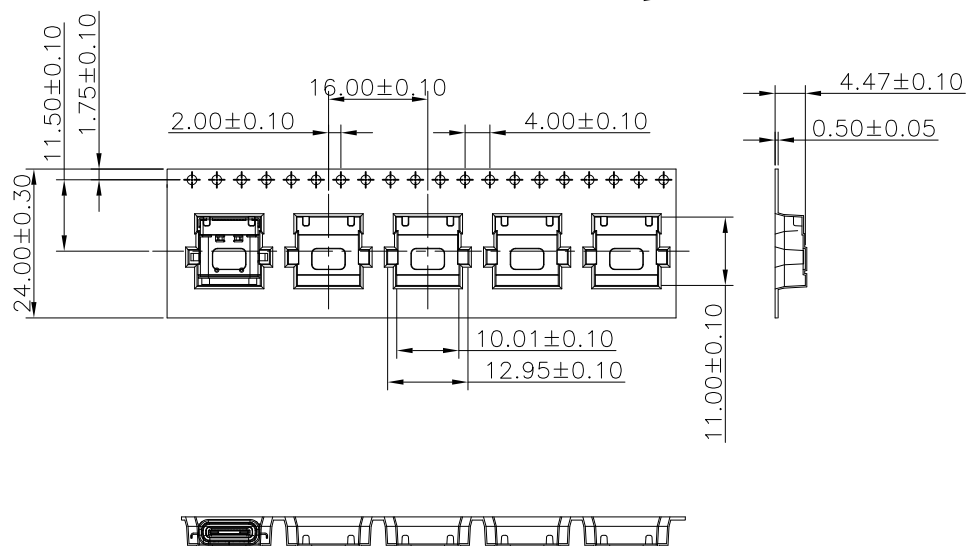
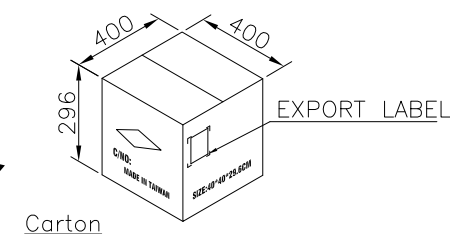
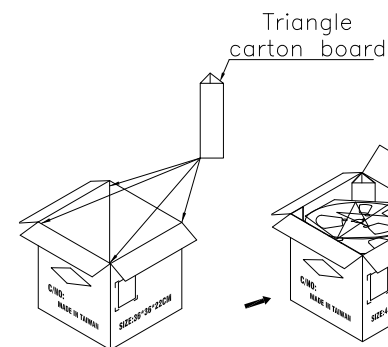
Note:

- 1.All dimensions meet EIA-481-3 requirements.
- 2.Component load per 13" reel :1000Pcs.
- 3.Carton Size:400*400*296(mm)

Pin No	W	PCS/R	R/CTN	Q'TY
24	24	1000	5	5000



USER DIRECTION OF UNREELING

Waterproof Ring
1000Pcs

RoHS Compliant

F				DRAWN: JERRY	GENERAL TOLERANCE: .X=±0.20 .XX=±0.15	Neltron Industrial Co., Ltd.	DESCRIPTION: USB C Type Female 24P SMT+DIP, Waterproof Mid Mount Type Packing List	SIZE
E								
D				CHECKED: JERRY	UNIT: MM	PART NO: 5077CR-24-SMC12-BK-WP-TR	SIZE A4	
C					SCALE:			
B	07-JAN-2022	UPDATE	MEI	APPROVAL: JERRY	SHEET: 3/3	5077CR-24-SMC12-BK-WP-TR	SIZE A4	
A	19-DEC-2018		JERRY		PROJECTION:			
REV	DATE	FILE	BY	MIKE				