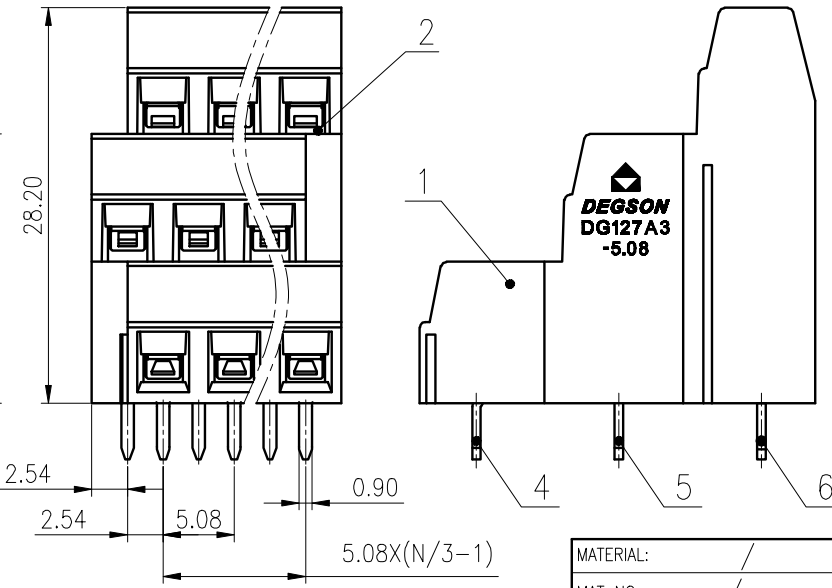
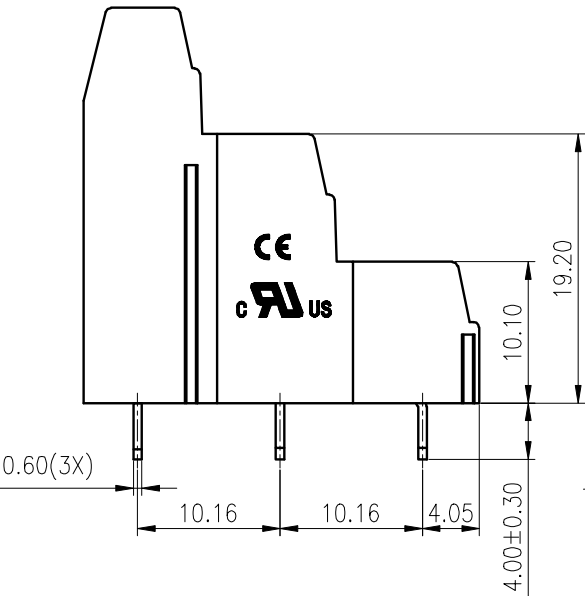
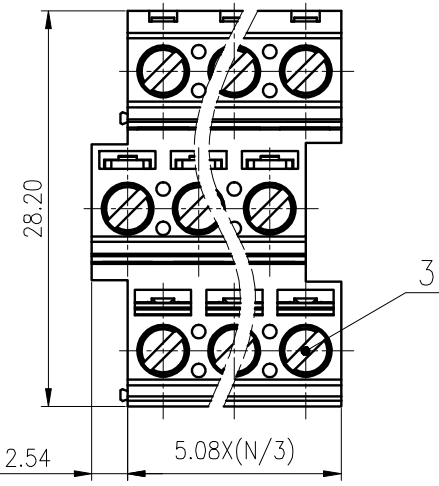
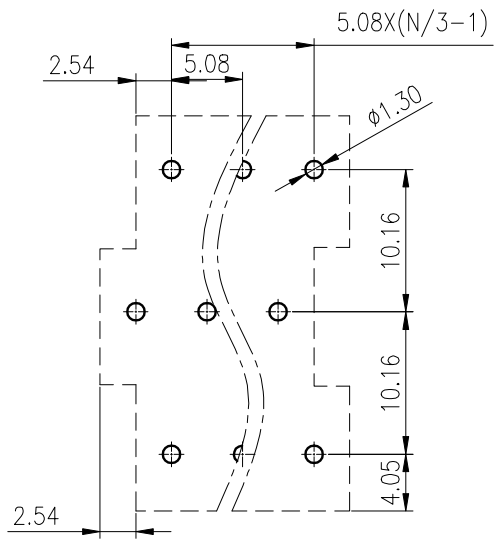


PCB LAYOUT

A
B
C
D



| 公差/General tolerances(mm) | | | | | | | | | | | | | | |
|---------------------------|-------|-------|-------|-------|-------|-------|-------|-------|-------|-------|-------|-------|-------|---------------|
| 0 | >3 | >6 | >10 | >18 | >30 | >50 | >80 | >120 | >180 | >250 | >315 | >400 | >500 | 0.1/10 ±2' |
| ~3 | ~6 | ~10 | ~18 | ~30 | ~50 | ~80 | ~120 | ~180 | ~250 | ~315 | ~400 | ~500 | ~2.50 | |
| ±0.12 | ±0.18 | ±0.22 | ±0.26 | ±0.31 | ±0.37 | ±0.57 | ±0.80 | ±0.93 | ±1.05 | ±1.15 | ±1.60 | ±2.20 | ±2.50 | |

| 6 | Pin Header 3 | Copper Alloy | Sn Plated | |
|--|--------------|---------------|--------------|--------|
| 5 | Pin Header 2 | Copper Alloy | Sn Plated | |
| 4 | Pin Header 1 | Copper Alloy | Sn Plated | |
| 3 | Screw | Steel | M3/Zn Plated | |
| 2 | Cage | Copper Alloy | M3/Ni Plated | |
| 1 | Housing | PA66 | UL94V-0 | |
| ITEM | NAME OF PART | MATERIAL | NOTES | |
| UL 标准/UL Standard: | | B | C | D |
| 额定电压/电流/Rated Voltage(V)/Current(A) | | 300/12 | / | 300/10 |
| IEC 标准/IEC Standard: | | | | |
| 过压类别/Overvoltage Category/污染等级/Pollution Degree | | III/3 | III/2 | II/2 |
| 额定电压/电流/Rated Voltage(V)/Current(A) | | 250/10 | 400/10 | 630/10 |
| 额定脉冲电压(KV)/Rate Impulse Voltage(KV) | | 4.0 | 4.0 | 4.0 |
| 螺丝扭矩/Torque Tightening(N·m/Lb·in) | | M3,0.6/5.32 | | |
| 线径范围(硬线和软线)/Wire Range(rigid and flexible)(mm ² /AWG) | | 0.2~1.5/30~14 | | |
| 间距/Pitch(mm)/线数范围/Poles | | 5.08/N=06~72P | | |
| 剥线长度/Stripping length(mm) | | 6~7 | | |
| 使用温度范围/Operating temperature(°C) | | -40~+105 | | |
| 符合RoHS环保要求/Conform to RoHS | | Yes | | |
| 标准颜色编号/Standard color number: | | PANTONE / RAL | | |



| | |
|------------------------|---|
| MATERIAL: / | SURFACE: / |
| MAT NO.: / | 宁波高松电子有限公司 NINGBO DEGSON ELECTRICAL CO., LTD |
| STATUS: / | |
| APPD: LiGL 2020.06.23 | |
| CHKD: Mek 2020.06.23 | |
| DRFT: Jay.z 2014.10.28 | NAME: DG127A3-5.08-XXP-1Y-00A(H) |
| SIZE: A4 | DRAWING NO.: DG127A3-5.08-C01 |
| TYPE: CUSTOMER DRAWING | REV T1 |
| SCALE: 2:1 | SHEET 1/1 |

| REV | ECN | DESCRIPTION | DRFT | DATE |
|-----|-----|-------------|------|------|
| | | | | |