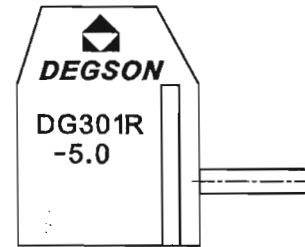
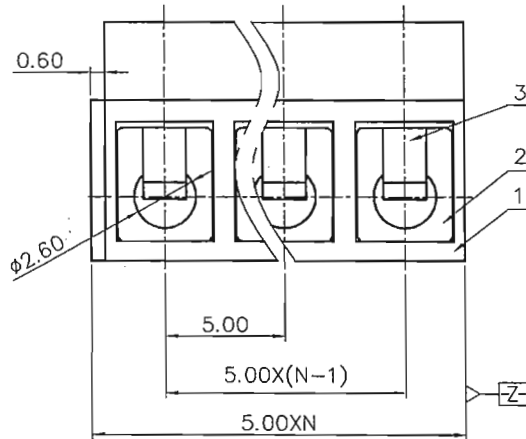
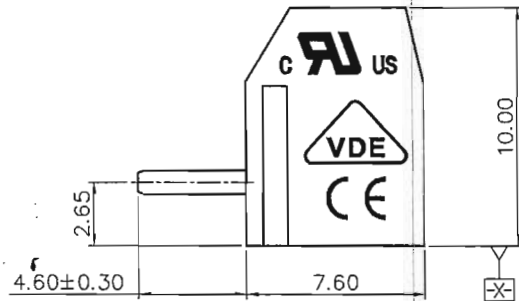
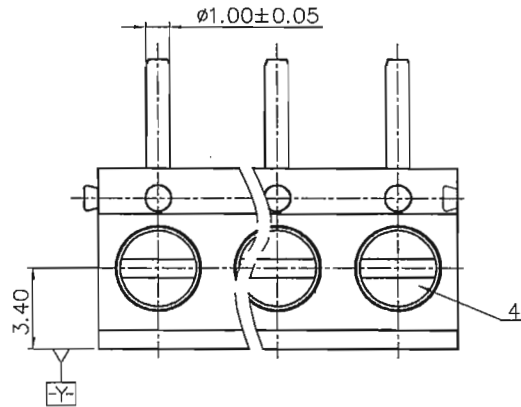




REVISION RECORD				
REV	ECN	DESCRIPTION	DRFT	DATE



NOTES1:

- UL Standard
 1. Rated Voltage/Current : 300V / 15A
 2. Torque Value : M2.5 , 3.54Lb.in
 3. Wire Range : 22~14AWG

IEC Standard

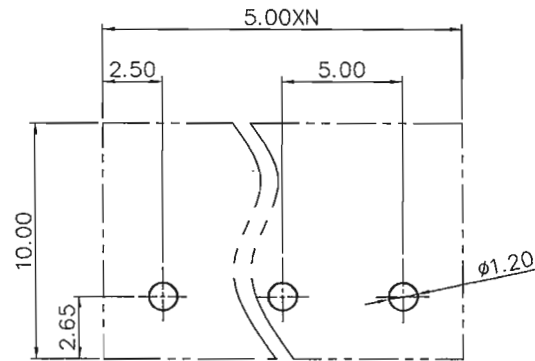
1. Rated Voltage/Current : 250V / 17.5A
 2. Torque Value : M2.5 , 0.4N.m
 3. Wire Range : 0.2~1.5mm²

NOTES2:

1. Dimension shall be interpreted per ASME Y14.5-2009
 2. Pitch : 5.0mm, Poles : N=02~22P
 3. Stripping length : 5~6mm
 4. Withstanding Voltage : AC2000V/1Min.
 5. Operating temperature : -30°C~+120°C
 6. Undimensioned Tolerances:

Pitch Range In mm		Nominal Dimension Range In mm				Tolerances	
TO	Over TO	TO	TO	TO	TO	0.1/10	
6	10	24	30	60	100	150	<
±0.15	±0.20	±0.30	±0.30	±0.50	±0.75	±1.00	±1.30
							±2'

7. RoHS Compliance



P.C.B. LAYOUT

ITEM	NAME OF PART	MATERIAL	NOTES
4	SCREW	STEEL	Zn plated
3	SPRING	STAINLESS STEEL	
2	PIN HEADER	PHOSPHOR BRONZE	Sn plated
1	HOUSING	PBT	UL94V-0

DETACHED LISTS	PART NO.: /	宁波高松电子有限公司 DEGSON [®] NINGBO DEGSON ELECTRICAL CO., LTD		
	APPD: Axon Flg-15	NAME: DG301R-5.0-XXP-1Y-00A(H)		
	CHKD: Jh 9/8 '15	TITLE: CUSTOMER DRAWING		
	DRFT: Haoyh 03/20/06"	REV	TO	
	DRAWING NO.: DG301R-C02	SHEET	1/1	
	MM (INCH)	DO NOT SCALE DRAWING	SCALE	1:1



THIRD ANGLE PROJECTION