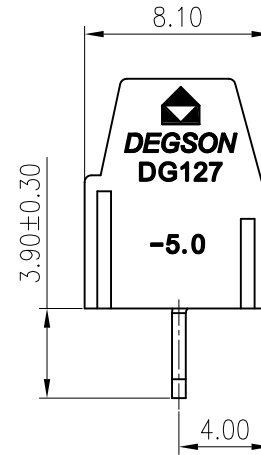
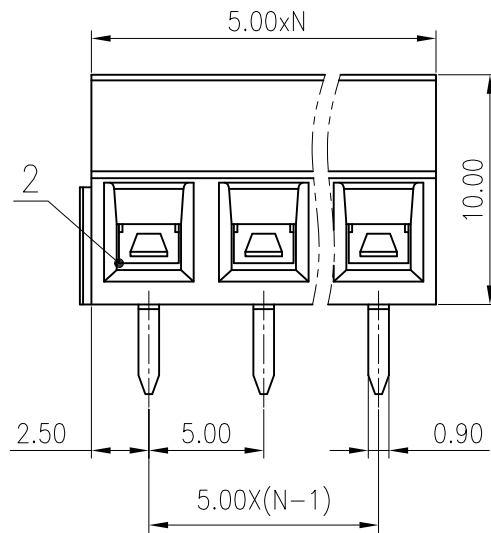
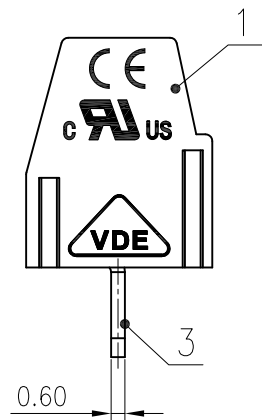
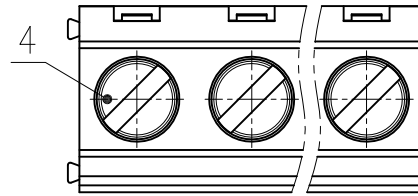




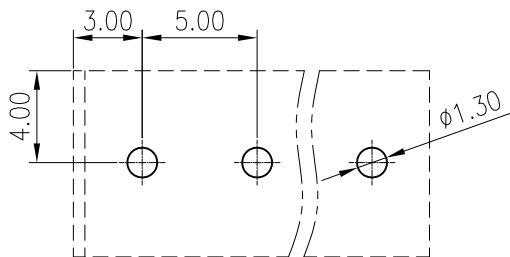
未注公差/General tolerances(mm)													0.1/10	
0	>3	>6	>10	>18	>30	>50	>80	>120	>180	>250	>315	>400	>500	0.1/10 ±2'
~3	~6	~10	~18	~30	~50	~80	~120	~180	~250	~315	~400	~500		
±0.12	±0.18	±0.22	±0.26	±0.31	±0.37	±0.57	±0.80	±0.93	±1.05	±1.15	±1.60	±2.20	±2.50	



4	Screw	Steel	M3/Zn Plated
3	Pin header	Copper alloy	Sn Plated
2	Cage	Copper alloy	M3/Ni Plated
1	Housing	PA66	UL94V-0

ITEM	NAME OF PART	MATERIAL	NOTES	
JL 标准/UL Standard:				
额定电压/电流/Rated Voltage(V)/Current(A)		B	C	D
300/12		/	/	/
EC 标准/IEC Standard:				
过压类别/Overvoltage Category/污染等级/Pollution Degree		III/2		
额定电压/电流/Rated Voltage(V)/Current(A)		250/15		
工频耐压/Withstanding Voltage(V/Min)		AC2000		
螺丝扭矩/Torque Tightening(N·m/Lb.in)		M3, 02P 0.34/3.04 ≥03P 0.5/4.43		
线径范围(硬线和软线)/Wire Range(rigid and flexible)(mm ² /AWG)		0.75~1.5/26~14		
间距/Pitch(mm)/线数范围/Poles		5.00/N=02~24P		
剥线长度/Stripping length(mm)		6-7		
使用温度范围/Operating temperature(°C)		-40~+105		
符合RoHS环保要求/Conform to RoHS		Yes		

PCB LAYOUT



MATERIAL: /	SURFACE: /		
MAT NO.: /	宁波高松电子有限公司 NINGBO DEGSON ELECTRICAL CO., LTD		
STATUS: /			
APPD: LanCH 2020.03.17	NAME: DG127-5.0-XXP-1Y-1000A(H)		
CHKD: YuJZ 2020.03.17			
DRFT: Jay.z 2017.07.22	DRAWING NO.: DG127-5.0-C32	REV	T1
⊕	SIZE: A4	TYPE: CUSTOMER DRAWING	SHEET 1/1

REV	ECN	DESCRIPTION	DRFT	DATE