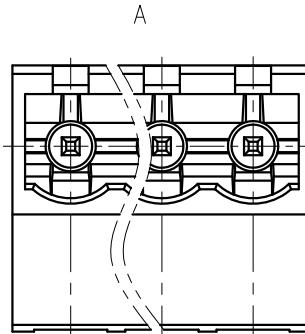
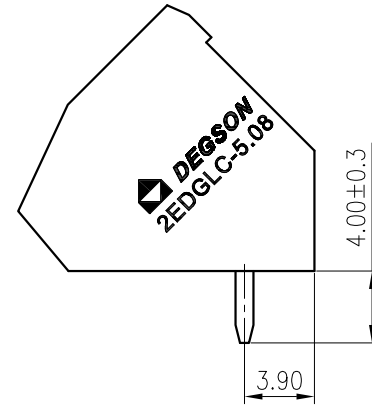
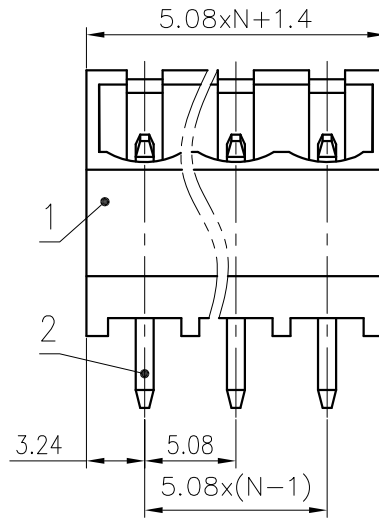
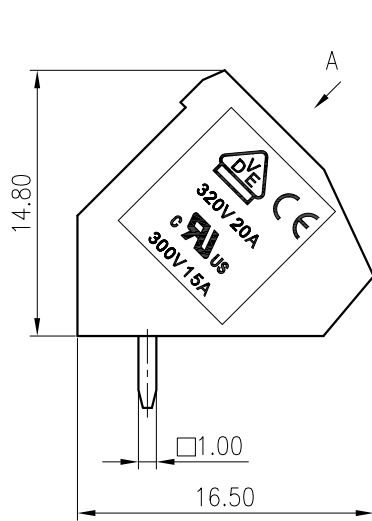
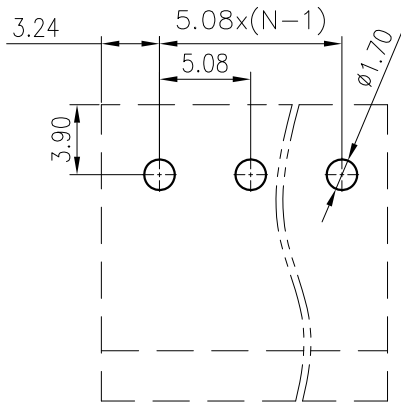




未注公差/General tolerances(mm)													0.1/10
0	>3	>6	>10	>18	>30	>50	>80	>120	>180	>250	>315	>400	
~3	~6	~10	~18	~30	~50	~80	~120	~180	~250	~315	~400	>500	
±0.12	±0.18	±0.22	±0.26	±0.31	±0.37	±0.57	±0.80	±0.93	±1.05	±1.15	±1.60	±2.20	±2.50



PCB LAYOUT



ITEM	NAME OF PART	MATERIAL	NOTES
2	Pin	Copper	Sn Plated
1	Housing	PA66	UL94V-0
UL 标准/UL Standard:		B	C
额定电压/电流/Rated Voltage(V)/Current(A)		300/15	300/10
IEC 标准/IEC Standard:			
过压类别/Overvoltage Category/污染等级/Pollution Degree		III/3	III/2
额定电压/电流/Rated Voltage(V)/Current(A)		/	320/20
额定脉冲电压(KV)/Rate Impulse Voltage(KV)		/	4.0
间距/Pitch(mm)/线数范围/Poles		5.08/N=02~24P	
使用温度范围/Operating temperature(°C)		-40~+105	
符合RoHS环保要求/Conform to RoHS		Yes	

MATERIAL:		SURFACE:	
MAT NO.:	/	宁波高松电子有限公司 NINGBO DEGSON ELECTRICAL CO., LTD	
STATUS:	/		
APPD:	LanChH 2020.05.16		
CHKD:	GongYzh 2020.05.16	NAME: <b>2EDGLC-5.08-XXP-1Y-00A(H)</b>	
DRFT:	Yz 2015.11.12	DRAWING NO.:	2EDGLC-5.08-C01
REV	ECN	DESCRIPTION	DRFT
DATE	DATE	DATE	DATE
SIZE: A4	mm (inch)	TYPE: CUSTOMER DRAWING	SCALE: 2.5:1
SHEET	1/1	REV	T1

REV	ECN	DESCRIPTION	DRFT	DATE
-----	-----	-------------	------	------