

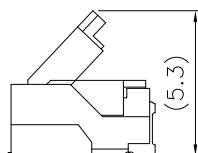
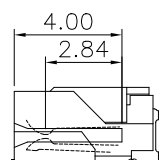
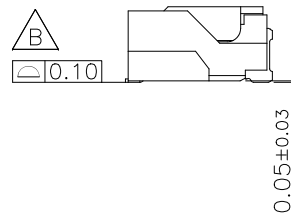
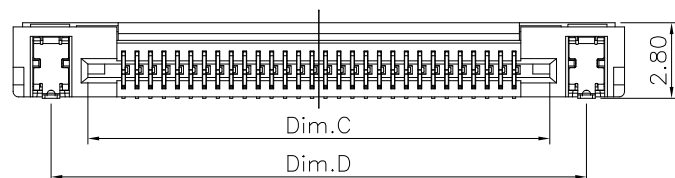
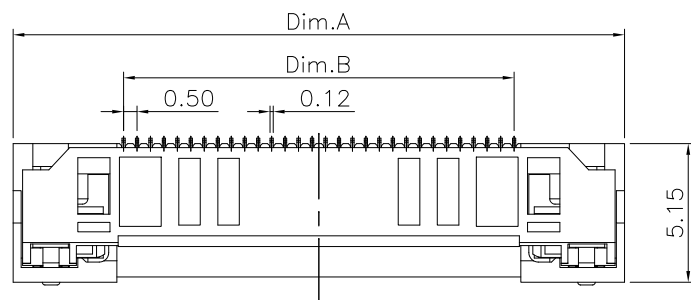
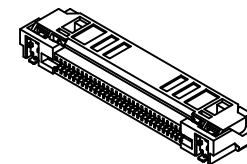
1

2

3

4

5



Specifications:
 Current Rating: 0.5A AC,DC
 Voltage Rating: 50V AC,DC
 Contact Resisitance: 100m ohm.Max
 Insulation Resisitance: 500M ohm.Min
 Withstanding Voltage: 150V AC/Minute
 Operating Temperature Range: -55°C ~ +105°C

Material:
 Insulator: LCP(UL94V-0)
 Insulator Color: Black
 Terminal: Phosphor Bronze
 Plated: Selective Gold
 Solder Pad: Phosphor Bronze
 Plated: Matte Tin

How To Order
 1226-XX-10-H28-TR

— Tape&Reel
 — Plastic Height=2.8mm
 — NO.of Contacts

Dimension Information:

Pos	Dim.A	Dim.B	Dim.C	Dim.D
8	11.70	3.50	6.15	8.90
10	12.70	4.50	7.15	9.90
12	13.70	5.50	8.15	10.90
16	15.70	7.50	10.15	12.90
20	17.70	9.50	12.15	14.90
30	22.70	14.50	17.15	19.90

RoHS Compliant

REV	DATE	FILE	BY	DRAWN:	GENERAL TOLERANCE:
F				ZONGYI	.X=±0.20 .XX=±0.10
E				CHECKED:	UNIT: MM
D				JERRY	SCALE: 1:1
C	23-AUG-2023	Add 12P Option	LISY	APPROVAL:	SHEET: 1/3
B	13-MAR-2022	新增平整度	ZONGYI	MIKE WU	PROJECTION:
A	08-AUG-2018		ZONGYI		

DESCRIPTION:	SIZE
0.5mm FPC Double Contact Type	A4
PART NO: 1226-XX-10-H28-TR	

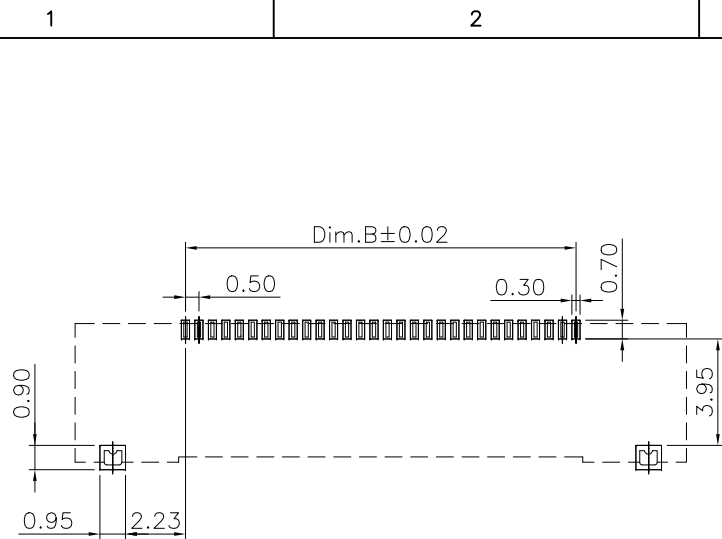


A

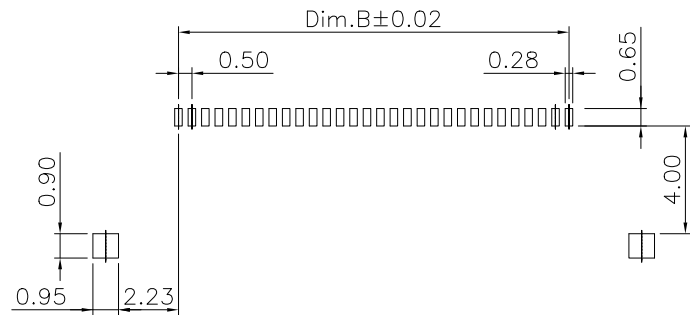
B

C

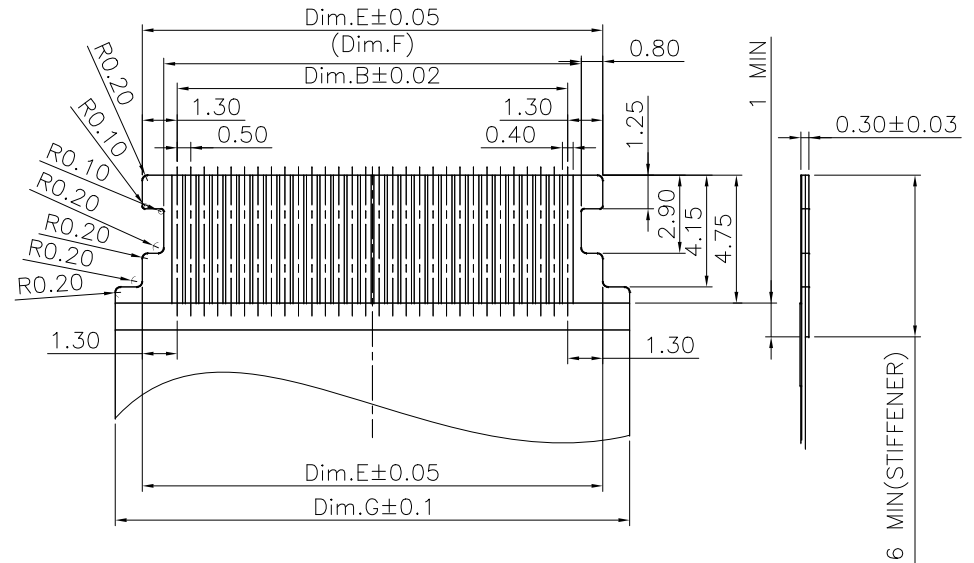
D



P.C.B LAYOUT



RECOMMENDED METAL MASK PATTERN

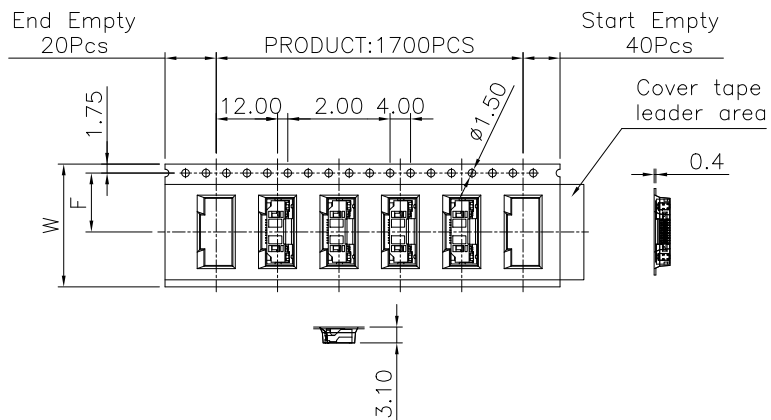


Dimension Information:

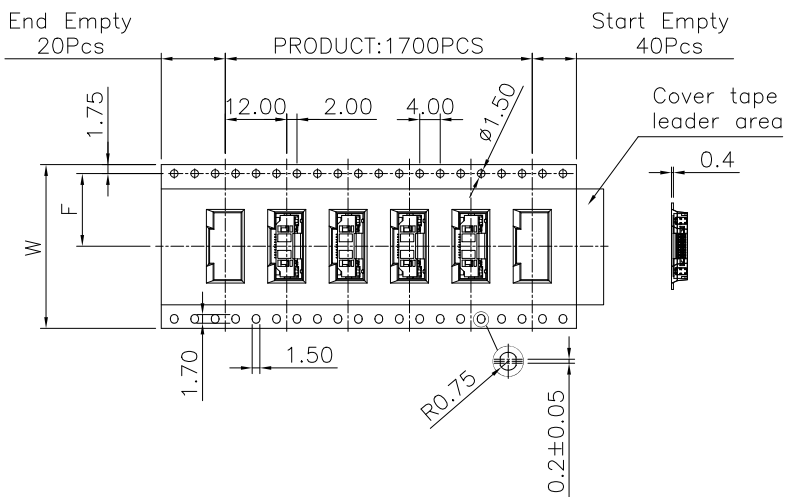
Pos	Dim.B	Dim.E	Dim.F	Dim.G
8	3.50	6.10	4.50	7.50
10	4.50	7.10	5.50	8.50
12	5.50	8.10	6.50	9.50
16	7.50	10.10	8.50	11.50
20	9.50	12.10	10.50	13.50
30	14.50	17.10	15.50	18.50

RoHS Compliant

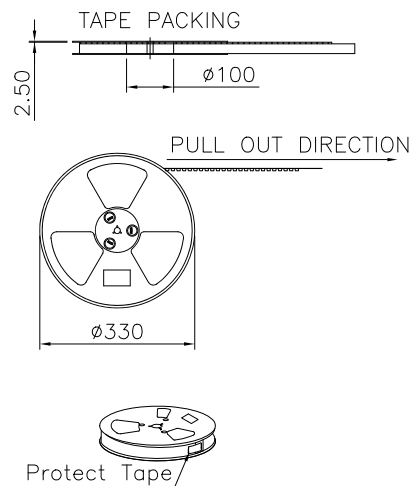
F				DRAWN: ZONGYI	GENERAL TOLERANCE: .X=±0.20 .XX=±0.10	Neltron Industrial Co., Ltd.	DESCRIPTION: 0.5mm FPC Double Contact Type	SIZE A4
E								
D				CHECKED: JERRY	UNIT: MM	PART NO: 1226-XX-10-H28-TR		
C	23-AUG-2023	Add 12P Option	LISY		SCALE: 1:1			
B	13-MAR-2022	新增平整度	ZONGYI	APPROVAL: MIKE WU	SHEET: 2/3			
A	08-AUG-2018		ZONGYI		PROJECTION:			
REV	DATE	FILE	BY					



For Reel width (dimension W)24mm ,Single row hole



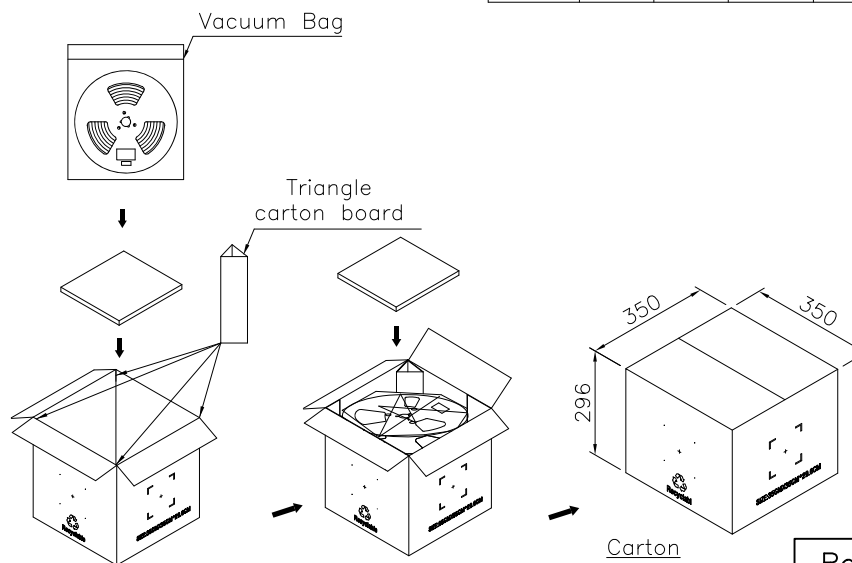
For Reel width (dimension W)32,44mm ,Double rows hole



NOTE:

- 1.All dimensions meet EIA-481-D requirements.
- 2.Material: Transparent Conductive Polystyrene Alloy 100% recyclable.
- 3.Thickness: 0.4±0.05mm
- 4.Component load per 13" reel:1700Pcs.
- 5.Carton Size:350*350*296(mm)

Pin.No	W	F	Pcs/R	R/CTN	Q'TY
8	24	11.5	1700	9	15300
10	24	11.5	1700	9	15300
12	24	11.5	1700	9	15300
16	24	11.5	1700	9	15300
20	32	14.2	1700	7	11900
30	44	20.2	1700	5	8500



RoHS Compliant

F			
E			
D			
C	23-AUG-2023	Add 12P Option	LISY
B	13-MAR-2022	新增平整度	ZONGYI
A	08-AUG-2018		ZONGYI
REV	DATE	FILE	BY

DRAWN:	ZONGYI
CHECKED:	JERRY
APPROVAL:	MIKE WU
GENERAL TOLERANCE:	.X=±0.20 .XX=±0.15
UNIT:	MM
SCALE:	
SHEET:	3/3
PROJECTION:	

Neltron Industrial Co., Ltd.	
DESCRIPTION:	0.5mm FPC Double Contact Type Packing List
PART NO:	1226-XX-10-H28-TR

SIZE	A4