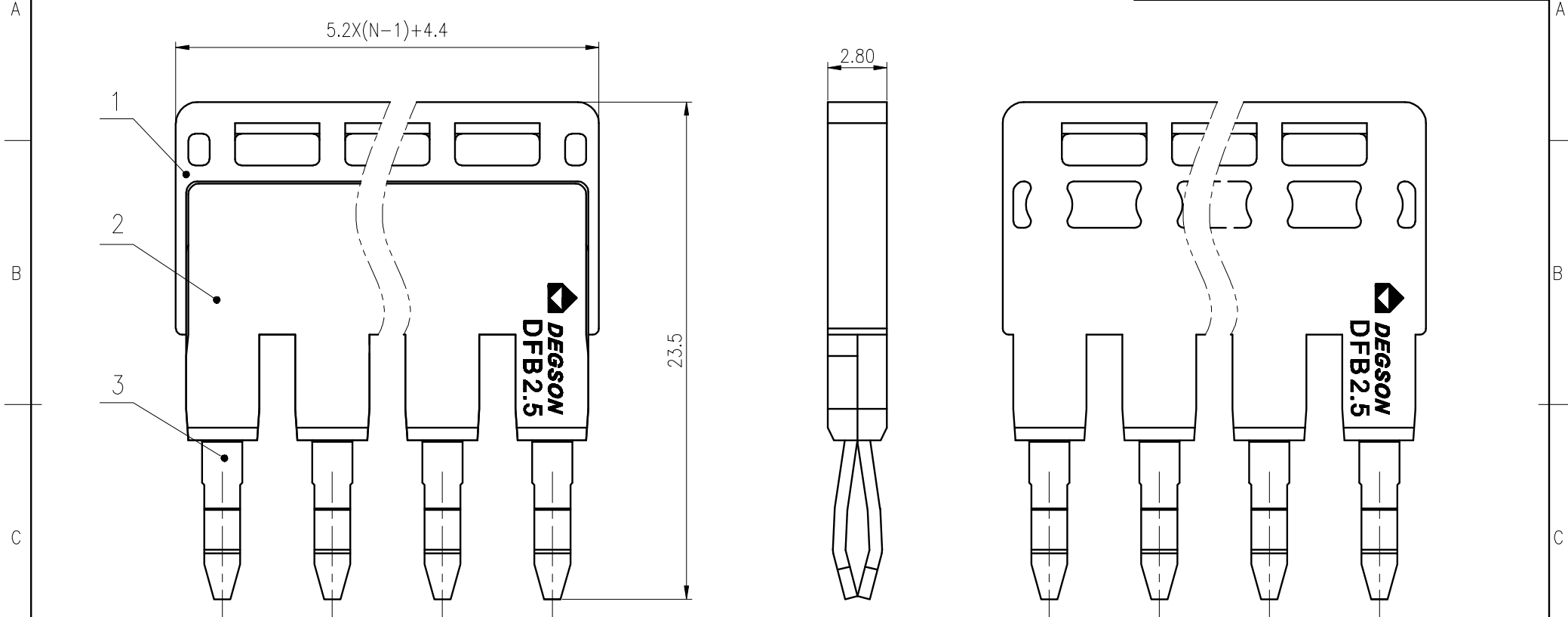


未注公差/General tolerances(mm)														
0	>3	>6	>10	>18	>30	>50	>80	>120	>180	>250	>315	>400	>500	0.1/10 ±2°
~3	~6	~10	~18	~30	~50	~80	~120	~180	~250	~315	~400	~500	±2.50	
±0.12	±0.18	±0.22	±0.26	±0.31	±0.37	±0.57	±0.80	±0.93	±1.05	±1.15	±1.60	±2.20	±2.50	±2°
间距/Pitch(mm)/线数范围/Poles											5.20/N=02~10P			
使用温度范围/Operating temperature(°C)											-40~+105			
符合RoHS环保要求/Conform to RoHS											Yes			



3	Bridgework	Copper	Sn Plated
2	Cover	PA66	UL94V-0
1	Housing	PA66	UL94V-0
ITEM	NAME OF PART	MATERIAL	NOTES

MATERIAL: /		SURFACE: /	
MAT NO.: /		宁波高松电子有限公司 NINGBO DEGSON ELECTRICAL CO., LTD	
STATUS: /			
APPD: Li GL 2020.06.04			
CHKD: Mao J 2020.06.04		NAME: DFB2.5-XXP-1Y-00A(H)	
DRFT: ZhengQC 2020.06.04		DRAWING NO.: DFB2.5-C01	
REV		REV	
ECN		TO	
DESCRIPTION		TYPE: CUSTOMER DRAWING	
DRFT		SCALE: 4:1	
DATE		SHEET 1/1	
SIZE: A4		mm (inch)	



REV	ECN	DESCRIPTION	DRFT	DATE