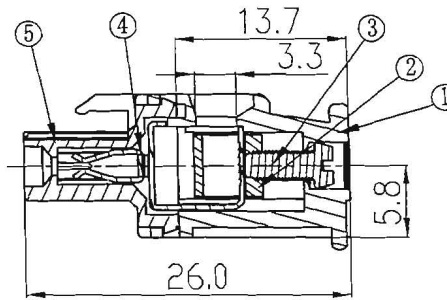
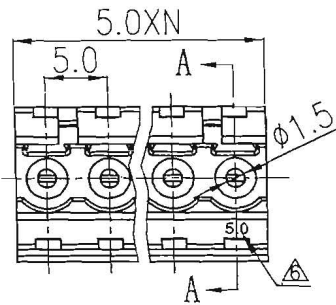
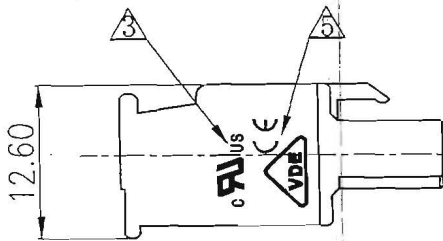
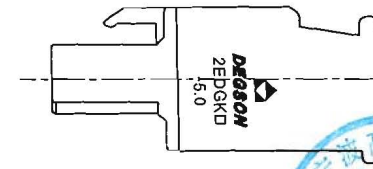


REVISION RECORD				
REV	ECO	DESCRIPTION	DRFT	DATE
△		图面更新	CSX	04/18/06
△		工程变更	CSX	11/30/06
△		增加UL刻字	CSX	03/12/07
△		品名、料号增加环保标示(01)	LJH	12/11/07
△		增加VDE、CE刻字	WLM	02/10/09
△	11-0184	盖板上增加间距刻字	lasting	07/10/11



Section A-A



Notes:

- Pitch: 5.0mm, Poles: 2-24P
- Rated voltage/current: UL 300V/15A  
VDE 320V/10A
- Operation temperatures: -45°C~+105°C
- Withstanding Voltage: AC2000V/1min
- Insulation Resistance: 5000Ω/DC1000V
- Wire Range: 28~12AWG, 2.5mm<sup>2</sup>
- Max. Torque Value: M2.5, 4.08kgf.cm
- Undimensioned Tolerances:

Pitch range in mm		Nominal dimension range in mm						
to	over	over	over	over	over	over		
6	5 to 10	10 to 24	30 to 30	60 to 60	100 to 100	150 to 150	∩	
	±0.10	±0.15	±0.25	±0.2	±0.3	±0.5	±0.7	
							±1.0	

ITEM	NAME OF PART	NO. OF PART	Q'TY	MATERIAL	NOTES
5	2EDGKA/B-5.0 COVER	1030COYXXA(H)	1	PA66	UL94V-0
4	2EDGKA/B-CLAMP	1028B00010(H)	XX	Phosbor Bronze	Ni plated
3	2EDG SCREW-M2.5	S000000980(H)△	XX	Steel	Cr <sup>3+</sup> Zn
2	DG128 CAGE	X000000020(H)	XX	Brass	Ni plated
1	2EDGKA/B-5.0 HOUSING	1030AOYXXA(H)	1	PA66	UL94V-0

MM (INCH)	DFTO W/P	DATE 04/22/04	宁波高正电子有限公司 DEGSON ELECTRONICS CO., LTD
TOLERANCES EXCEPT AS NOTED	CHKD <i>lyg</i>	DATE 7/14/10	
MM	APPL <i>Hang</i>	DATE 07/14/10	NAME
.0 ±			2EDGKA-5.0-XXP-1Y-00A(H)
.00 ±			DRAWING NO. 2EDGKA-5.0-E01
.000 ±			/PART NO.
ANGLES ± 1°	G.E.:		SIZE A3
FINISH:			REV T6
SCALE:			07/10/11
THIRD ANGLE PROJECTION	DO NOT SCALE DRAWING	SHEET 1	OF 1