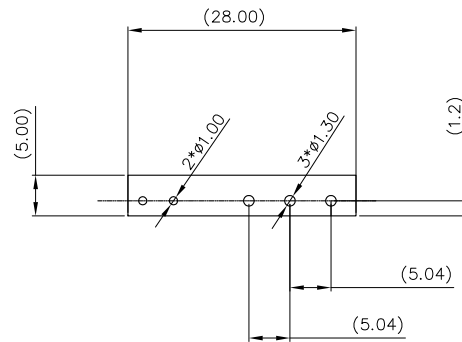
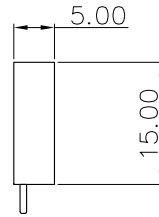
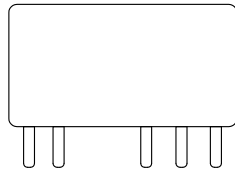
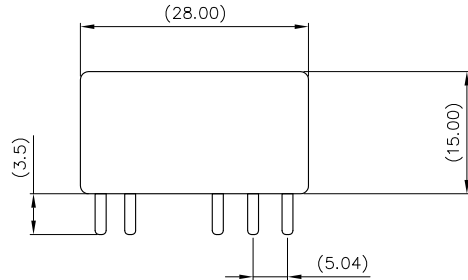


Transfer or duplication of this document as well as the utilization or communication of its contents are prohibited unless explicit authorization is granted. Violations will be liable for compensation. All rights reserved for patent, utility, model or designs registrations. 除非给予明确授权，否则禁止转让、复制、利用、交寄本文件的内容。侵犯者将承担法律责任。 本公司保留对涉及发明、实用新型和外观设计的所有权利。

DRPS-1C



尺寸公差(mm)					0.05/10 ±T
0 ~ 30	>30 ~ 60	>60 ~ 100	>100 ~ 150	>150	
±0.20	±0.30	±0.50	±0.70	±1.00	

Load current	1C: 6 A
Load voltage	1C:250VAC/30 VDC
Electrical life	≥100,000
Mechanical life	≥10,000,000
Contact resistance	≤50mΩ(24V,1A)
Operate voltage	DC: ≥75%Ue
Release voltage	DC>5%Ue
Key controlled symbol	*
Operating temperature(°C)	-25°C ~ +85°C
Dielectric strengths	Between contacts:1000VAC ,1Min (1mA) Between Coil and contacts:4000VAC ,1Min (1mA)
Coil operating power	0.40W
Max. allowable coil voltage	110%(Ue)
Conform to RoHS	
Mark the height of the company LOGO	
Mark the height of the "CE"	
Printing for laser marking,printing content is clear ,no broken line,ect	
Seal literal reference according to the foot position in the drawing	
The words in the dotted box correspond to the list below	

NOTES

MATERIAL:	/	SURFACE:	/
MAT.NO.:		宁波高松电子有限公司 NINGBO DEGSON ELECTRICAL CO., LTD	
STATUS:	/		
APPD:		Description:	
CHKD:		DRPS-XX-XX-06A(H)	
DRFT:		DRAWING NO.:	XXXXX
REV	TO	TYPE:	PRODUCT DRAWING
SCALE:	1:1	SHEET	1/1

REV	ECN	DESCRIPTION	DRFT	DATE

