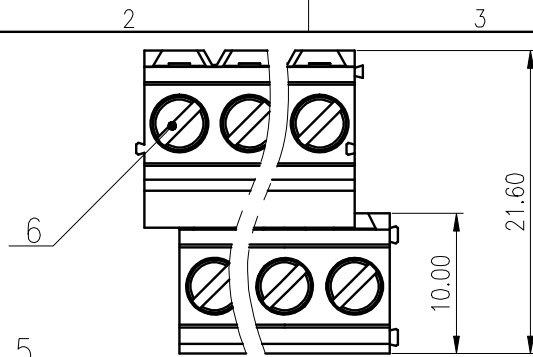


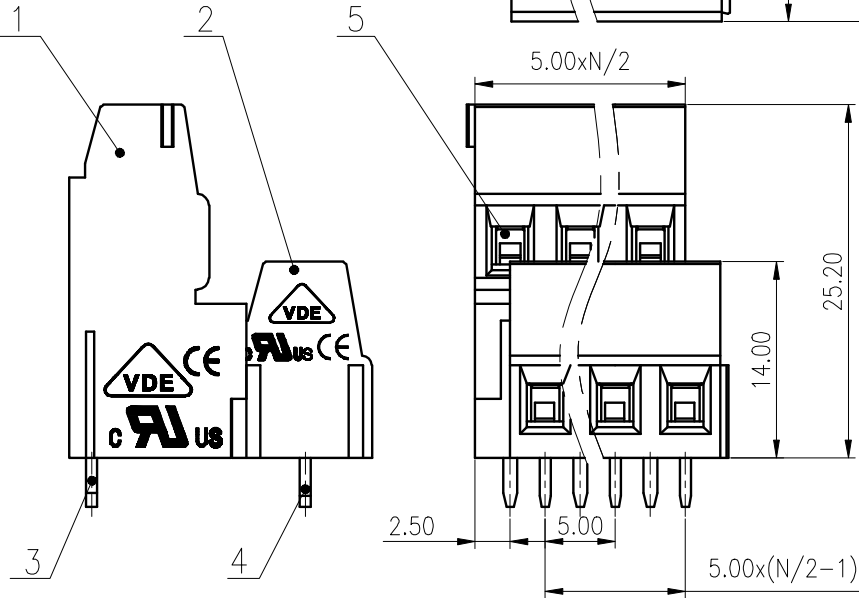


未注公差/General tolerances(mm)											
0	>3	>6	>10	>18	>30	>50	>80	>120	>180	>250	0.1/10 ±2'
~3	~6	~10	~18	~30	~50	~80	~120	~180	~250	~315	
±0.12	±0.18	±0.22	±0.26	±0.31	±0.37	±0.57	±0.80	±0.93	±1.05	±1.15	±2.50

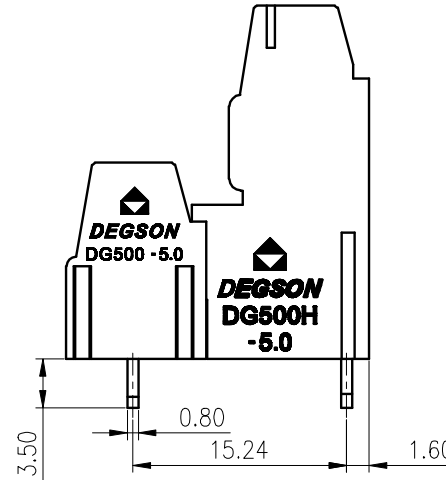
A



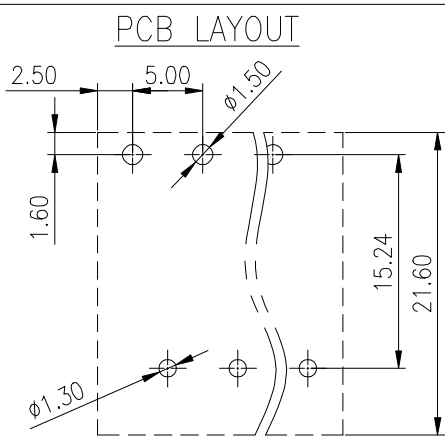
B



C



D



6	Screw	Steel	Zn Plated
5	Cage	Copper alloy	Ni Plated
4	Header 2	Copper alloy	Sn Plated
3	Header 1	Copper alloy	Sn Plated
2	Housing 2	PA66	UL94V-0
1	Housing 1	PA66	UL94V-0

ITEM	NAME OF PART	MATERIAL	NOTES
UL 标准/UL Standard:		B	C
额定电压/电流/Rated Voltage(V)/Current(A)		300/20	/ 300/10
IEC 标准/IEC Standard:			
过压类别/Overvoltage Category/污染等级/Pollution Degree		III/3	III/2 II/2
额定电压/电流/Rated Voltage(V)/Current(A)		/	250/18 /
工频耐压/Withstanding Voltage(V/min)		/	AC2000 /
螺丝扭矩/Torque Tightening(N·m/Lb.in)		M3, 0.5/4.43	
线径范围(硬线和软线)/Wire Range(rigid and flexible)(mm ² /AWG)		1.0~2.5/28~12	
间距/Pitch(mm)/线数范围/Poles		5.08/N=02~48P	
剥线长度/Stripping length(mm)		6~7	
使用温度范围/Operating temperature(°C)		-40~+105	
符合RoHS环保要求/Conform to RoHS		Yes	

MATERIAL: /	SURFACE: /		
MAT NO.: /	宁波高松电子有限公司 NINGBO DEGSON ELECTRICAL CO., LTD		
STATUS: /			
APPD: LIGL 2020.06.18	NAME: DG500A-5.0-XXP-1Y-1000A(H)		
CHKD: MaEK 2020.06.18	DRAWING NO.: DG500A-5.0-C23		
DRFT: tongxc 2004.08.25	REV T2		
SIZE: A4	TYPE: CUSTOMER DRAWING	SCALE: 2:1	SHEET 1/1

REV	ECN	DESCRIPTION	DRFT	DATE