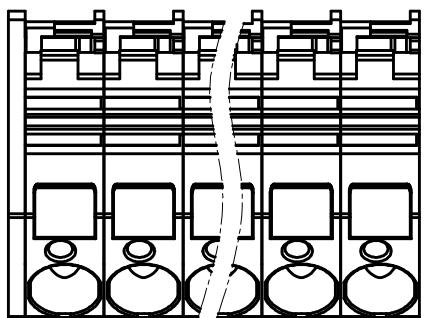


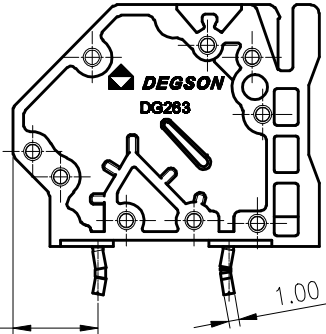
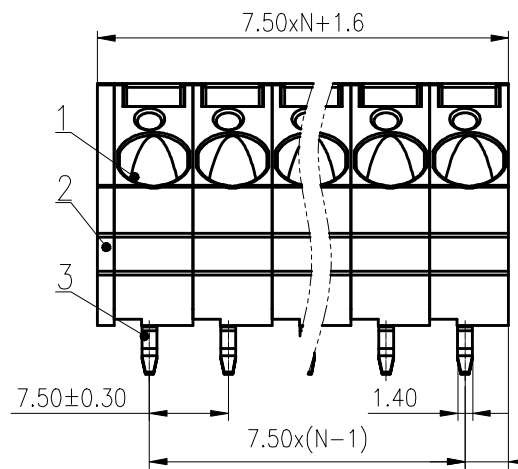
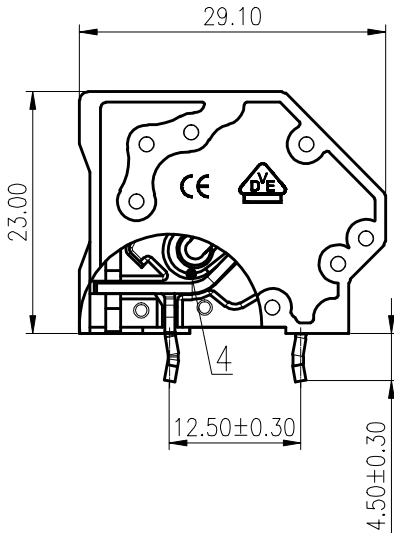


公差/General tolerances(mm)											0.1/10 ±2'		
0	>3	>6	>10	>18	>30	>50	>80	>120	>180	>250		>315	>400
~3	~6	~10	~18	~30	~50	~80	~120	~180	~250	~315	~400	~500	~500
±0.12	±0.18	±0.22	±0.26	±0.31	±0.37	±0.57	±0.80	±0.93	±1.05	±1.15	±1.60	±2.20	±2.50

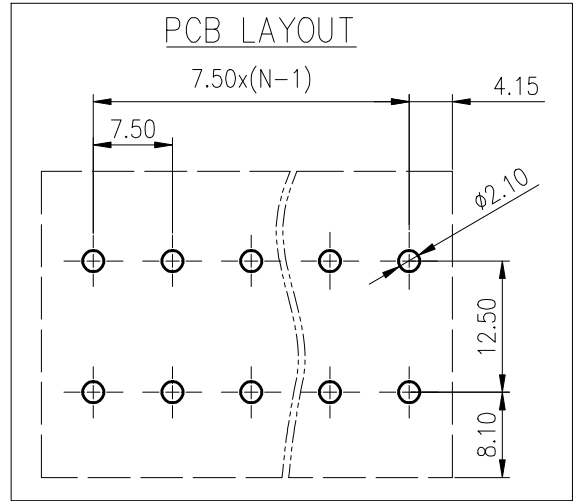
A



B



C



4	Spring	Stainless steel	/
3	Pin Header	Copper	Sn Plated
2	Cover	PA66	UL94V-0
1	Housing	PA66	UL94V-0
ITEM	NAME OF PART	MATERIAL	NOTES

UL 标准/UL Standard:		B	C	D
额定电压/电涌/Rated Voltage(V)/Current(A)		300/30	/	/
IEC 标准/IEC Standard:				
过压类别/Overvoltage Category/污染等级/Pollution Degree		III/3	III/2	II/2
额定电压/电涌/Rated Voltage(V)/Current(A)		500/41	630/41	1000/41
额定脉冲电压(KV)/Rate Impulse Voltage(KV)		6	6	6
线径范围(硬线和软线)/Wire Range(rigid and flexible)(mm ² /AWG)		0.2~6/24~10		
间距/Pitch(mm)/线数范围/Poles		7.50/N=01~16P		
剥线长度/Stripping length(mm)		11~12		
使用温度范围/Operating temperature(°C)		-40~+105		
符合RoHS环保要求/Conform to RoHS		Yes		

D

MATERIAL: /	SURFACE: /		
MAT NO.: /	宁波高松电子有限公司 NINGBO DEGSON ELECTRICAL CO., LTD		
STATUS: /			
APPD: Li GL 2020.06.13	NAME: DG263-7.5-XXP-1Y-00A(H)		
CHKD: Ma EK 2020.06.13	DRAWING NO.: DG263-7.5-C01		REV T3
DRFT: WWF 2015.08.04	TYPE: CUSTOMER DRAWING		
④	SIZE: A4	SCALE: 1.5:1	SHEET 1/1