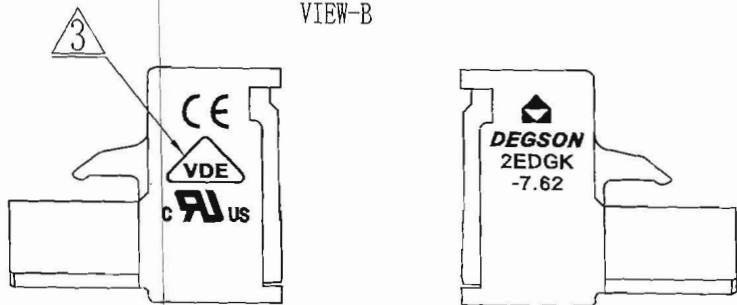
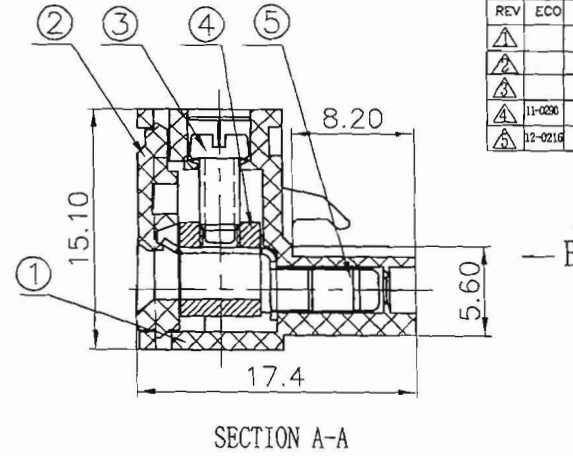


VIEW-B



5	2EDG Clamp	1005B00010(H)	XX	Phosfor bronze	Sn plated
4	DG128 Brass cage	X000000020(H)	XX	Brass	Ni plated
3	2EDG"- Screws-M2, 5	S000001370(H)	XX	Steel	Cr ³⁺ Zn
2	2EDGK-7.62-Cover	1006COYXXA(H)	I	PA66	UL94V-0



Notes:

- Pitch: 7.62mm Poles:2-13P
- Rated voltage/current:UL 300V/15A
VDE 400V/20A
- Insulation resistance: 5000MΩ/1000V
- Withstanding voltage: AC2500V/1min
- Wire range: 28~12AWG 2.5mm²
- Temp. Range: -40°C~+105°C
- Torque: 4.08kgf.cm(3.6lb.in)
- Undimensioned Tolerances:

Pitch range in mm		Nominal dimension range in mm						
to	to	to	to	to	to			
6	10	10	24	30	60	100	150	∩
±0.10	±0.15	±0.25	±0.2	±0.3	±0.5	±0.7	±1.0	∇

REV	ECO	DESCRIPTION	DRFT	DATE
△		Drawing amend	WF	12/31/05
△		修改图面	CSX	05/04/07
△		增加VDE、CE认证标志	LJH	01/14/08
△	11-0200	最长线数由12P改为13P	Golden	12/15/11
△	12-0216	夹子电镀由镀锌改为镀锡	XLM	01/07/13



I	2EDGK-7.62-Housing	1006AOYXXA(H)	1	PA66	UL94V-0
ITEM	NAME OF PART	NO. OF PART	Q'TY	MATERIAL	NOTES
TOLERANCES EXCEPT AS NOTED		DFTO DZJ DATE 09/26/05 CHKD LXC DATE 01/10/13 INFO DATE 01/14/13 APPL ALM DATE 01/14/13			
MM (INCH) .00 ± .000 ±		DEGSON® 宁波高正电子有限公司 DEGSON ELECTRONICS CO., LTD NAME 2EDGK-7.62-XXP-1Y-00A(H)			
ANGLES ± 1° THIRD ANGLE PROJECTION		MATERIAL: G.E.: FINISH: SCALE: 1:1 DO NOT SCALE DRAWING			
DRAWING NO. 2EDGK-7.62-E05			SIZE A3	REV T5	11/07/13
/PART NO.			SHEET 1 OF 1		