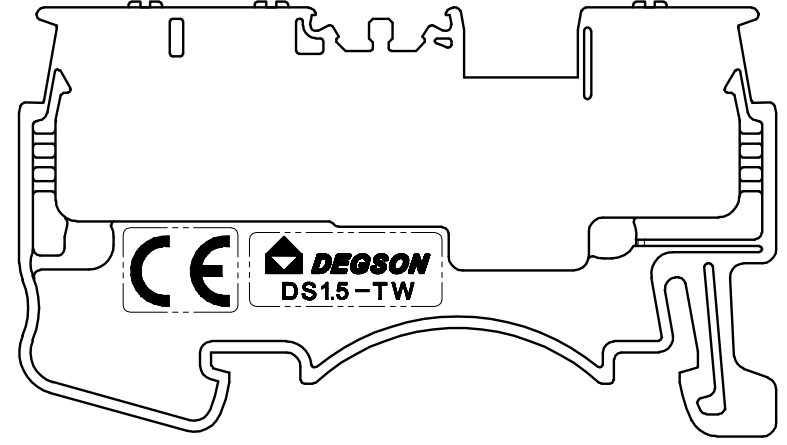
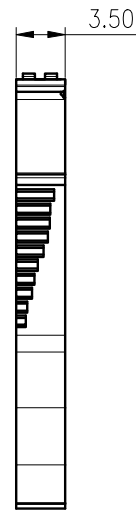
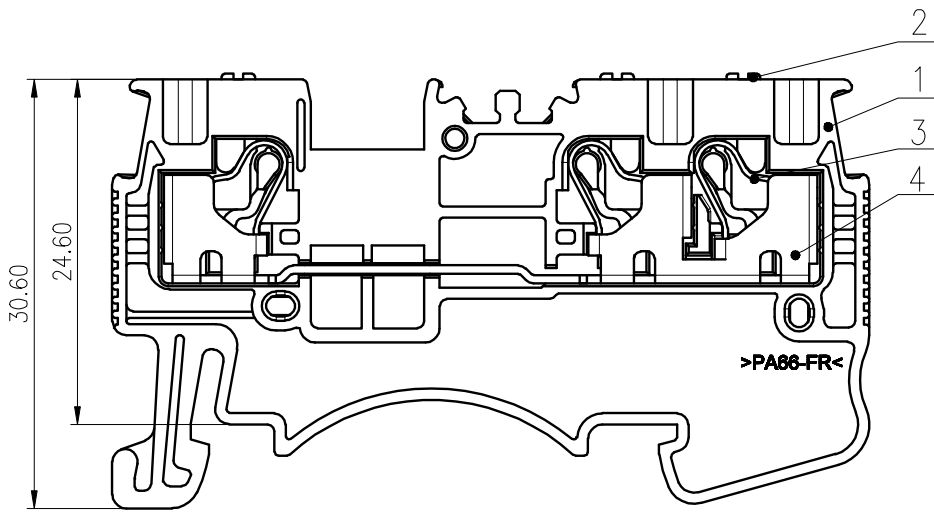


公差/General tolerances(mm)										0.1/10 ±2'			
0	>3	>6	>10	>18	>30	>50	>80	>120	>180		>250	>315	>400
~3	~6	~10	~18	~30	~50	~80	~120	~180	~250	~315	~400	~500	~2.50
±0.12	±0.18	±0.22	±0.26	±0.31	±0.37	±0.57	±0.80	±0.93	±1.05	±1.15	±1.60	±2.20	±2.50

A



B



C

UL 标准/UL Standard:	B	C	D
额定电压/电流/Rated Voltage(V)/Current(A)	300/15	300/15	300/10
IEC 标准/IEC Standard:			
过压类别/Overvoltage Category/污染等级/Pollution Degree	III/3	/	/
额定电压/电流/Rated Voltage(V)/Current(A)	500/17.5	/	/
额定脉冲电压(kV)/Rate Impulse Voltage(kV)	6	/	/
线径范围(硬线和软线)/Wire Range(rigid and flexible)(mm ² /AWG)		0.14~1.5/	
		26~16&14(SOL)	
间距/Pitch(mm)		3.5	
剥线长度/Stripping length(mm)		8-10	
使用温度范围/Operating temperature(°C)		-40~+105	
符合RoHS环保要求/Conform to RoHS		Yes	
标准颜色编号/Standard color number:		/	
PANTONE / RAL		/	



D

4	Current carrier	Copper	Sn Plated
3	Spring	Stainless steel	
2	Button	PA66-GF	UL94V-0
1	Housing	PA66	UL94V-0
ITEM	NAME OF PART	MATERIAL	NOTES

REV	ECN	DESCRIPTION	DRFT	DATE

MATERIAL: /	SURFACE: /		
MAT NO.: /	宁波高松电子有限公司 NINGBO DEGSON ELECTRICAL CO., LTD		
STATUS: /			
APPD: Li GL 2020.04.03			
CHKD: /			
DRFT: MaEK 2018.10.25	NAME: DS1.5-TW-01P-1Y-00A(H)	DRAWING NO.: DS1.5-TW-C01	REV D0-3
④	SIZE: A4	TYPE: CUSTOMER DRAWING	SCALE: 2:1 SHEET 1/1

1

2

3

4

5

6