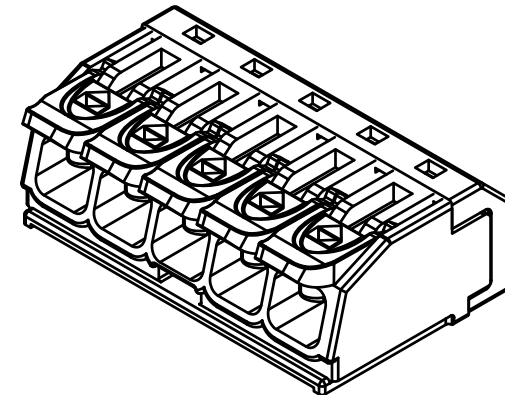


未注公差/General tolerances(mm)														
0	>3	>6	>10	>18	>30	>50	>80	>120	>180	>250	>315	>400	>500	0.1/10
~3	~6	~10	~18	~30	~50	~80	~120	~180	~250	~315	~400	~500		±2'
±0.12	±0.18	±0.22	±0.26	±0.31	±0.37	±0.57	±0.80	±0.93	±1.05	±1.15	±1.60	±2.20	±2.50	

please refer to the 3D model, for those unmarked dimensions



5	Current carrier	Copper	Sn Plated
4	Spring	Stainless steel	/
3	Button	PA66+GF	UL94V-0
2	Cover	PC	UL94V-2
1	Housing	PC	UL94V-2
ITEM	NAME OF PART	MATERIAL	NOTES

UL 标准/UL Standard:			
额定电压/Rated Voltage (V)		600	
IEC 标准/IEC Standard:			
过压类别/Overvoltage Category/污染等级/Pollution Degree		III/3	III/2 II/2
额定电压/电流/Rated Voltage(V)/Current(A)		/	450/32 /
工频耐压/Withstanding voltage(V/1Min)		AC2500	
线径范围(硬线和软线)/Wire Range(rigid and flexible)(AWG/mm <sup>2</sup> )		24~12/0.2~4.0	
间距/Pitch(mm)/线数范围/Poles		5.6/05P	
剥线长度/Stripping length(mm)		12	
使用温度范围/Operating temperature(°C)		-40~+85 (IEC)	
符合RoHS环保要求/Conform to RoHS		Yes	

MATERIAL: /		SURFACE: /	
MAT NO.:		宁波高松电子有限公司 NINGBO DEGSON ELECTRICAL CO., LTD	
STATUS: /			
APPD: Li GL 2021.01.14		NAME: DG221-5.6-05P (1Y-00AH)	
CHKD: MaEK 2021.01.14		DRAWING NO.: DG221-5.6-05P-C01	
DRFT: WangW 2021.01.14		REV TO	
SIZE: A4		TYPE: CUSTOMER DRAWING	
mm (inch)		SCALE: 2:1 SHEET 1/1	

REV	ECN	DESCRIPTION	DRFT	DATE
1				

Transfer or duplication of this document as well as the utilization or communication of its contents are prohibited unless explicit authorization is granted. Violations will be liable for compensation. All rights reserved for patent, utility, model or designs registrations. 除非给予明确授权，否则禁止转让、复制、利用、交流本文件的内容。侵犯者将承担法律责任。 本公司保留就涉及发明、实用新型和外观设计的所有权利。