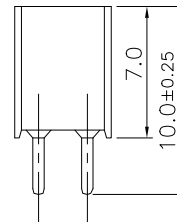


Specifications:
 Current Rating:3.0A AC/DC
 Voltage Rating:100V AC/DC
 Contact Resistance:20m ohm. max.
 Insulation Resistance:1000M ohm. Min.
 Withstanding Voltage:1000V AC for one minute
 Operating Temperature Range:-40°C to +105°C

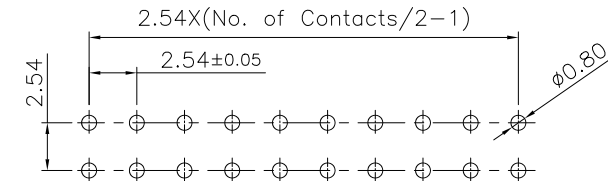
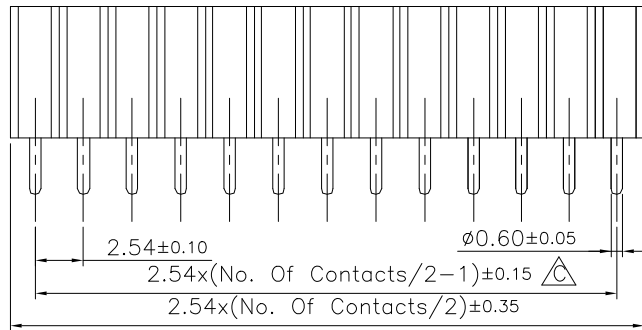
Material and Finish:
 Insulator:PPS (UL94V-0)
 Insulator Color:Black
 Contact:Beryllium Copper(Becu) Gold Plated
 Sleeve Barrel:Brass Tin Plated

Pin Detail



How To Order
 6803S-XXX-70

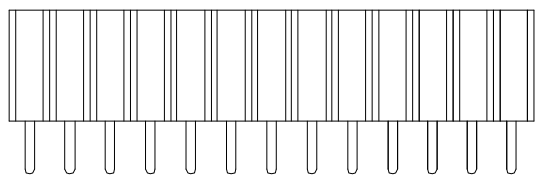
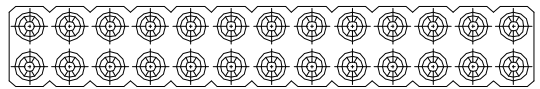
- Insulator High:7.0mm
- Blank Selective Gold Plated
- SG10:Selective Gold 10u"
- SG30:Selective Gold 30u"
- No. Of Contacts
- Straight Type



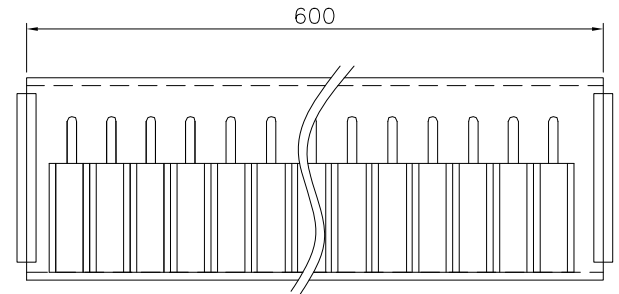
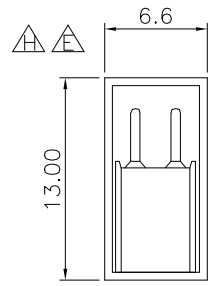
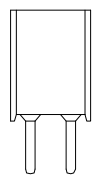
P.C.B Layout

RoHS Compliant

I	27-DEC-2023		Chiko	DRAWN: Sea	GENERAL TOLERANCE: .X=±0.2 .XX=±0.15	Neltron Industrial Co., Ltd.	DESCRIPTION: 2.54mm PCB Socket Double Row	SIZE A4
H	26-SEP-2023		Jamie					
G	11-SEP-2023	Add SG Option	Lisy	CHECKED: Jerry Chen	UNIT: MM	PART NO: 6803S-XXX-70		
F	26-OCT-2022		Selin		SCALE:			
E	25-MAY-2022	更改包裝數量	Lucy	APPROVAL: MIKE WU	SHEET: 1/2			
A	03-JUN-2013		Sea		PROJECTION:			
REV	DATE	FILE	BY					

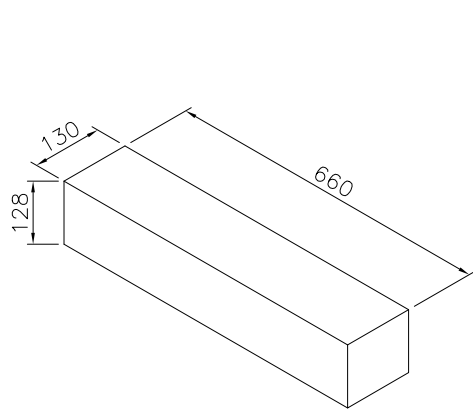


6803S-XX-70

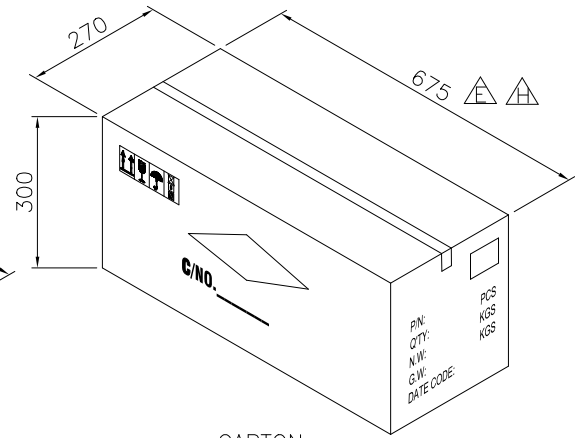


Note:
 1.Dimension:
 Inner Carton Size:660*130*128 (mm)
 Carton Size:675*270*300 (mm)
 2.Quantity:
 150 Tube/Inner Carton
 4 Inner Carton/Carton

Pin.	Pcs/Tube	Pcs/Inner Carton	Pcs/Carton
6	74	11100	44400
8	56	8400	33600
10	45	6750	27000
12	38	5700	22800
14	32	4800	19200
16	28	4200	16800
20	22	3300	13200
22	20	3000	12000
24	19	2850	11400
26	17	2550	10200
30	15	2250	9000
38	12	1800	7200
40	11	1650	6600
46	10	1500	6000
60	7	1050	4200
72	6	900	3600
80	5	750	3000



INNER CARTON



CARTON

RoHS Compliant

I	27-DEC-2023		Chiko	DRAWN: Sea	GENERAL TOLERANCE: .X=±0.2 .XX=±0.15	Neltron Industrial Co., Ltd.	DESCRIPTION: 2.54mm PCB Socket Double Row Packing List	SIZE A4
H	26-SEP-2023		Jamie					
G	11-SEP-2023	Add SG Option	Lisy	CHECKED: Jerry Chen	UNIT: MM	PART NO: 6803S-XXX-70		
F	26-OCT-2022		Selin		SCALE:			
E	25-MAY-2022	更改包裝數量	Lucy	APPROVAL: MIKE WU	SHEET: 2/2			
A	03-JUN-2013		Sea		PROJECTION:			
REV	DATE	FILE	BY					