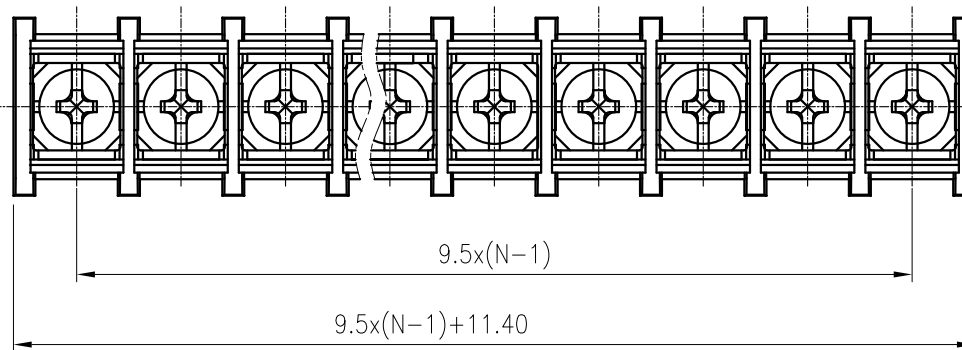
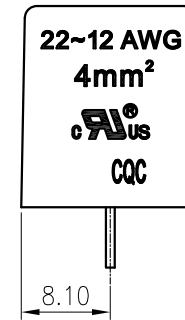
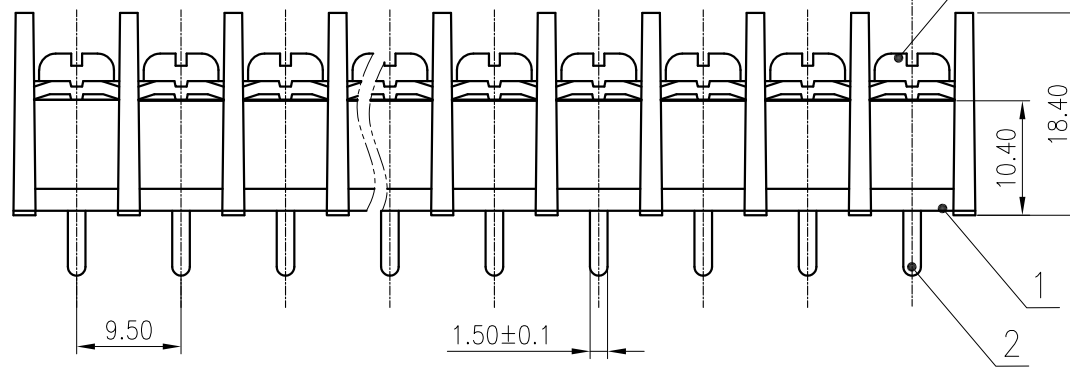
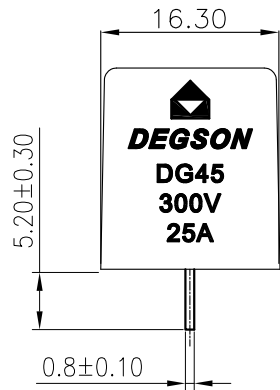
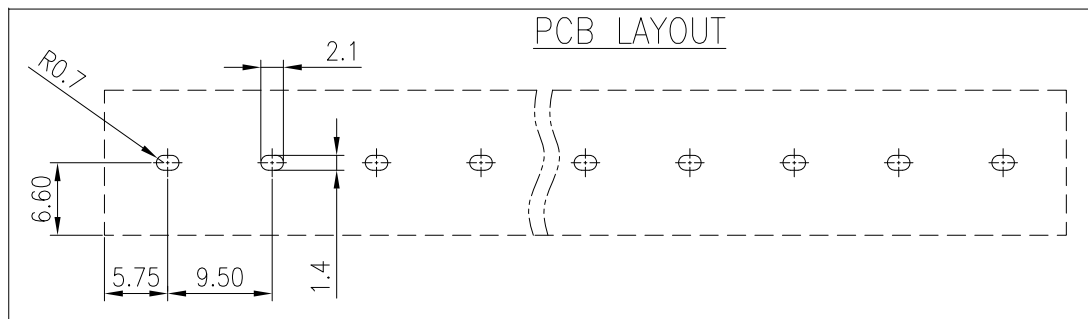


Pitch range in mm			Nominal dimension range in mm					
to 6	over 6 to 10	over 10 to 24	to 30	over 30 to 60	over 60 to 100	over 100 to 150	over 150	
±0.10	±0.15	±0.25	±0.2	±0.3	±0.5	±0.7	±1.0	
							0.05/10	



ITEM	NAME OF PART	MATERIAL	NOTES
3	Screw	Steel	Ni Plated
2	Pin header	Copper alloy	Sn Plated
1	Housing	PA66	UL94V-0
JL 标准/UL Standard:			
额定电压/电流/Rated Voltage(V)/Current(A)		B 300/25	C / D 300/10
螺丝扭矩/Torque Tightening(N·m/Lb.in)		M4, 1.2/10.53	
线径范围/Wire Range(AWG)		22~12	
间距/Pitch(mm)/线数范围/Poles		9.50/N=02~26P	
剥线长度/Stripping length(mm)		8	
使用温度范围/Operating temperature(°C)		-40~+105	
符合RoHS环保要求/Conform to RoHS		Yes	



MATERIAL:	/	SURFACE:	/
MAT NO.:	/	宁波高松电子有限公司 NINGBO DEGSON ELECTRICAL CO., LTD	
STATUS:	work		
APPD:		NAME: DG45C-B-XXP-1Y-00A(H)	
CHKD:		DRAWING NO.: DG45C-C03	
DRFT: XieZhP 2020.05.18		REV	TO
REV	ECN	DESCRIPTION	DRFT DATE
SIZE: A4		SCALE: 3:2	SHEET 1/1