

REVISION RECORD				
REV	ECN	DESCRIPTION	DRFT	DATE

NOTES1:

UL Standard

1. Rated voltage/current : 600V
2. Wire range : 28~12AWG

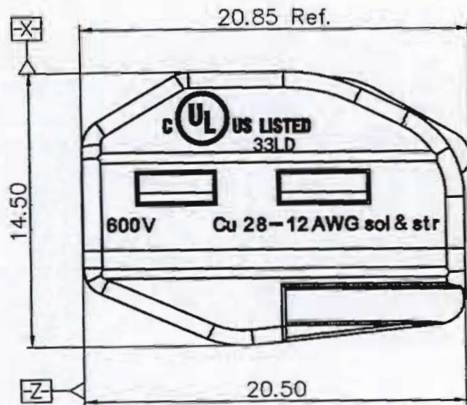
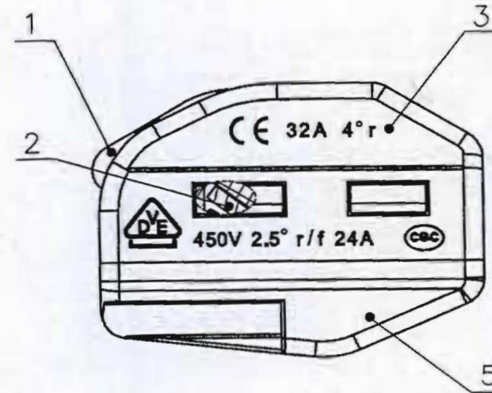
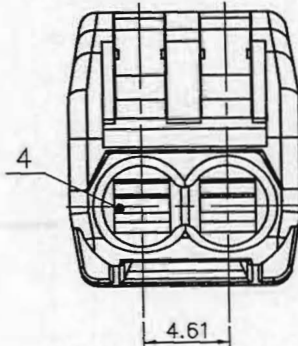
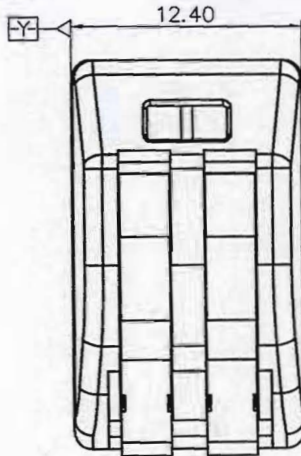
VDE Standard

1. Rated voltage/current : 450V / 24A
2. Wire range : 0.2~2.5mm<sup>2</sup>

IEC Standard

1. Rated voltage/current : 450V / 32A
2. Wire range : 0.2~4.0mm<sup>2</sup>(sol)

DG223 - 4.61 - 02P (1Y-00A H)  
 (Series No.) (Pitch) (Poles) (Single Pitch) (Color): 1.(Grey)  
 2.(Blue)  
 3.(Black)  
 4.(Green)  
 5.(Orange)  
 6.(Red)  
 7.(Transparent)  
 8.(Yellow)  
 9.(White)



NOTES2:

1. Dimension shall be interpreted per ASME Y14.5-2009
2. Pitch : 4.61mm, Poles : 02P
3. Stripping length : 9~10mm
4. Withstanding voltage : AC2500V/1Min
5. Operating temperature: -40°C~+105°C
6. Undimensioned tolerances:

Pitch range in mm	Nominal dimension range in mm						Tolerance	
	Over 5 TO 6	Over 10 TO 24	Over 30 TO 30	Over 60 TO 60	Over 100 TO 100	Over 150 TO 150		
±0.15	±0.20	±0.30	±0.30	±0.50	±0.70	±1.00	±1.30	±2°

7. RoHS Compliance



中文 發 中 精  
 2019.02

ITEM	NAME OF PART	MATERIAL	NOTES
5	Housing	PA66	UL94V-0
4	Spring	Stainless steel	
3	Cover	PA66	UL94V-0
2	Current carrier	Copper	Sn Plated
1	Button	PA66	UL94V-0

DETACHED LISTS	PART NO.: /	NINGBO DEGSON ELECTRICAL CO., LTD		
	APPD: Jacky.Li 2019.7.22	NAME: DG223-4.61-02P (1Y-00AH)		
	CHKD: Yler 2019.7.22	TITLE: CUSTOMER DRAWING		
	DRFT: LJB 2019.07.08	DRAWING NO.: DG223-4.61-C01	REV	TO
THIRD ANGLE PROJECTION		DO NOT SCALE DRAWING	SHEET	1/1
		SCALE	1:1	

active