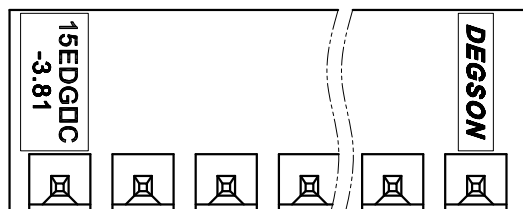
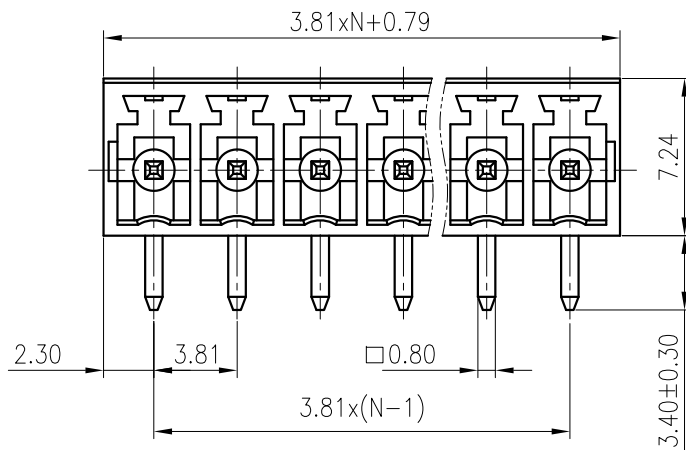
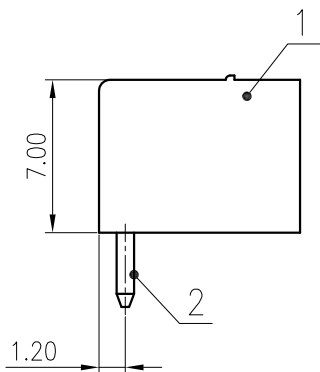
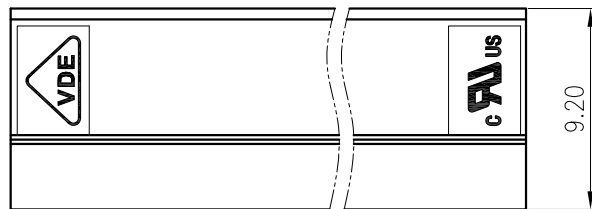
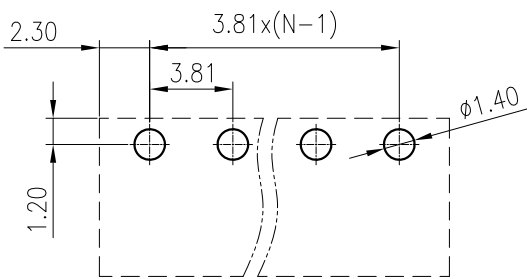




未注公差/General tolerances(mm)											D		
0	>3	>6	>10	>18	>30	>50	>80	>120	>180	>250		>315	>400
~3	~6	~10	~18	~30	~50	~80	~120	~180	~250	~315	~400	~500	>500
±0.12	±0.18	±0.22	±0.26	±0.31	±0.37	±0.57	±0.80	±0.93	±1.05	±1.15	±1.60	±2.20	±2.50
													0.1/10
													±2'



PCB LAYOUT



2	Pin	Copper alloy	Sn Plated
1	Housing	PA66	UL94V-0
ITEM	NAME OF PART	MATERIAL	NOTES
UL 标准/UL Standard:		B	C
额定电压/电流/Rated Voltage(V)/Current(A)		300/8	300/8
EC 标准/IEC Standard:			
过压类别/Overvoltage Category/污染等级/Pollution Degree		II/2	
额定电压/电流/Rated Voltage(V)/Current(A)		250/7	
额定脉冲电压(KV)/Rate Impulse Voltage(KV)		2.5	
间距/Pitch(mm)/线数范围/Poles		3.81/N=02~24P	
使用温度范围/Operating temperature(°C)		-40~+105	
符合RoHS环保要求/Conform to RoHS		Yes	

MATERIAL: /	SURFACE: /		
MAT NO.: /	宁波高松电子有限公司 NINGBO DEGSON ELECTRICAL CO., LTD		
STATUS: /			
APPD: LanChH 2020.03.23	NAME: 15EDGRC-3.81-XXP-1Y-00A(H)		
CHKD: YuJZh 2020.03.23	DRAWING NO.: 15EDGRC-3.81-C02		REV T1
DRFT: Yz 2015.10.26	TYPE: CUSTOMER DRAWING		SCALE: 3:1 SHEET 1/1

REV	ECN	DESCRIPTION	DRFT	DATE