

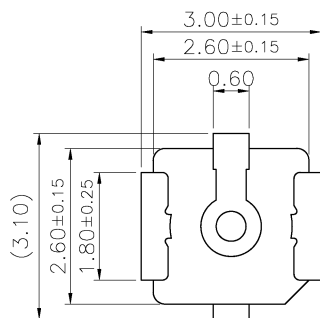
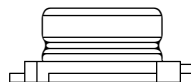
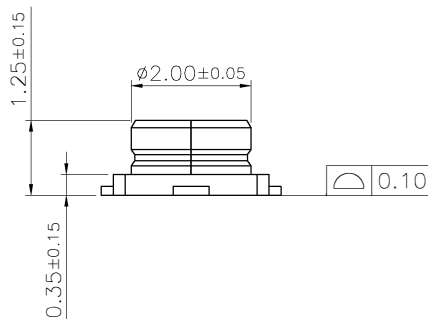
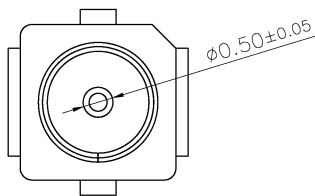
1

2

3

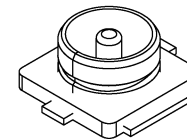
4

5



Specifications:

Contact Resistance: Center : 20m ohm.MAX
 Outer : 10m ohm.MAX
 Insulation Resistance: 500M ohm.Min
 Withstanding Voltage: 200V AC/Minute
 Operating Temperature Range: $-40^{\circ}\text{C} \sim +90^{\circ}\text{C}$



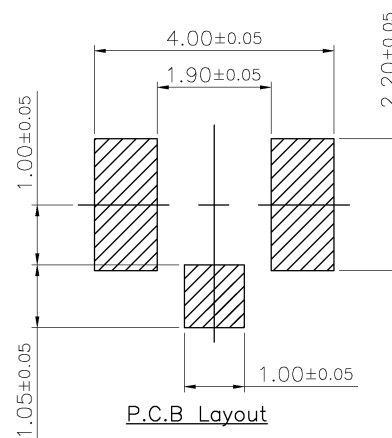
V.S.W.R		Insertion Loss	
1.3Max	DC-3GHz	0.3dB Max	DC-3GHz
1.4Max	3-6GHz	0.6dB Max	3-6GHz

Material:

Insulator: High Temperature Plastic (UL94V-0)
 Insulator Color: Natural
 Contact: Brass
 Shell: Phosphor bronze
 Plating: Contact Gold Plating
 Ground Gold Plating


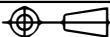
How To Order
 B 7077-01-XX-XXX

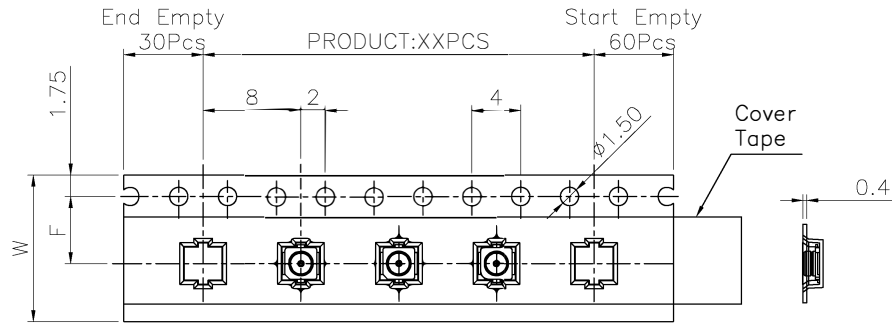
TR: 13" Reel
 TR7: 7" Reel
 Blank Contact 4u" Gold Plated
 G1: Contact 1u" Gold Plated



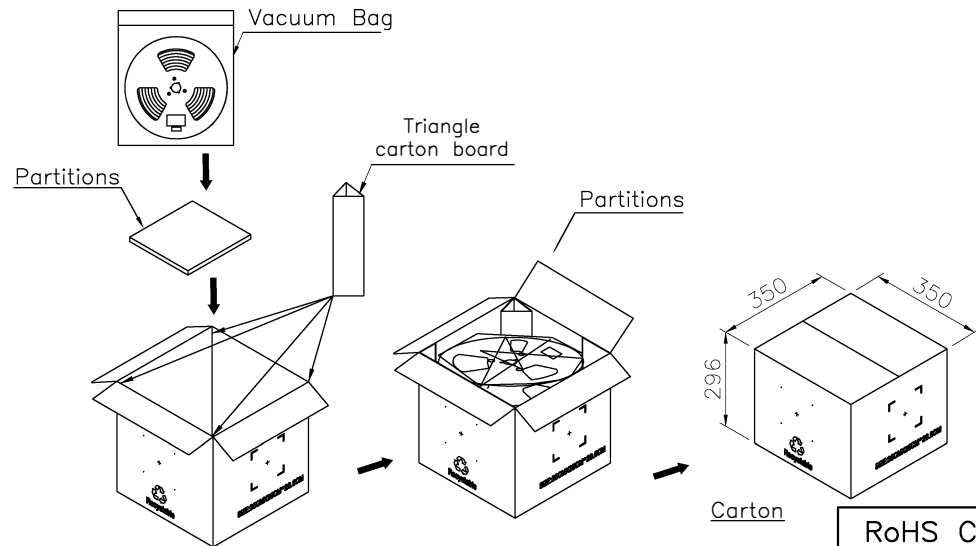
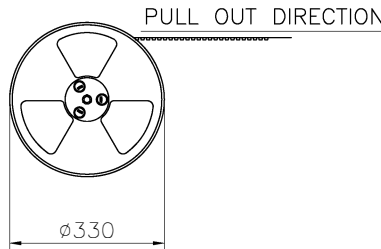
P.C.B Layout

RoHS Compliant

F				DRAWN: LISY	GENERAL TOLERANCE: .X= ± 0.20 .XX= ± 0.15	 Neltron Industrial Co., Ltd.	DESCRIPTION: Micro Coaxial Receptacle SMT With 3 Pads	SIZE A4
E								
D				CHECKED: JERRY	UNIT: MM	PART NO: 7077-01-XX-XXX B		
C					SCALE: 1:1			
B	01-AUG-2023	Add Plated Option	LISY	APPROVAL: RORY	SHEET: 1/3			
A	19-MAY-2023		LISY		PROJECTION: 			
REV	DATE	FILE	BY					



For Reel width (dimension W) 12mm ,Single row hole



- Note:
- 1.All dimensions meet EIA-481-3 requirements.
 - 2.Material: Transparent Conductive Polystyrene Alloy 100% recyclable.
 - 3.Thickness: 0.40±0.05mm
 - 4.Component load per 13" reel :5000Pcs.
 - 5.Carton Size:350*350*296(mm)
Reel Size: 330(mm)
PE Bag Size: 0.2*450*500(mm)
Triangular partition Size:35*25.5(mm)
Partitions Size:330*330(mm)

W	F	Pcs/R	R/CTN	Q'TY
12	5.5	5000	16	80,000

RoHS Compliant

F				DRAWN: LISY	GENERAL TOLERANCE: .X=±0.20 .XX=±0.15	Neltron Industrial Co., Ltd.	DESCRIPTION: Micro Coaxial Receptacle SMT With 3 Pads TR Packing List	SIZE A4
E								
D				CHECKED: JERRY	UNIT: MM	PART NO: 7077-01-XX-XXX		
C					SCALE:			
B	01-AUG-2023	Add Plated Option	LISY	APPROVAL: RORY	SHEET: 2/3			
A	19-MAY-2023		LISY		PROJECTION:			
REV	DATE	FILE	BY					

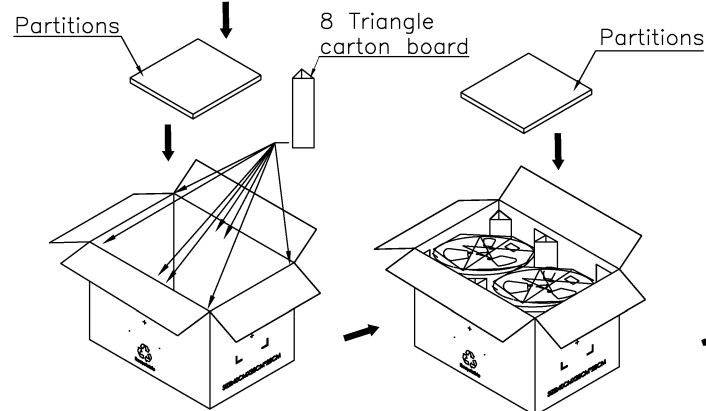
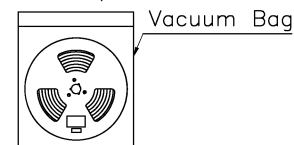
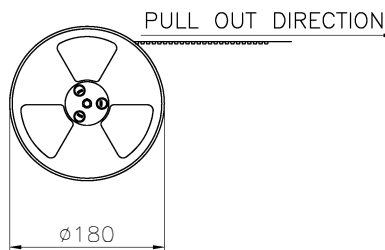
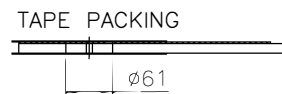
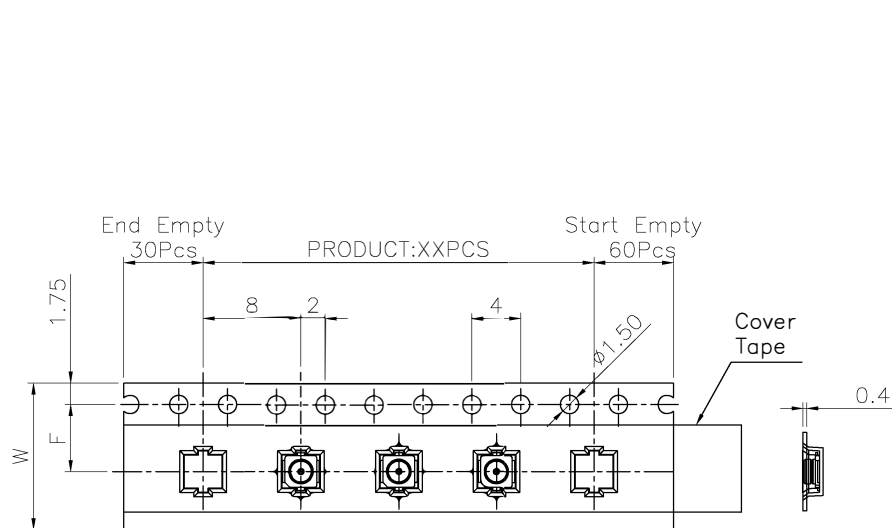
1

2

3

4

5



Note:

- All dimensions meet EIA-481-3 requirements.
- Material: Transparent Conductive Polystyrene Alloy 100% recyclable.
- Thickness: 0.40 ± 0.05 mm
- Component load per 7" reel :1300Pcs.
- Carton Size:400*280*280(mm)
Reel Size: 180(mm)
PE Bag Size: 0.2*250*270(mm)
Triangular partition Size:35*25.5(mm)
Partitions Size:330*330(mm)

W	F	Pcs/R	R/CTN	Q'TY
12	5.5	1300	30	39,000

For Reel width (dimension W)12mm ,Single row hole

REV	DATE	FILE	BY
A	19-MAY-2023		LISY
B	01-AUG-2023	Add Plated Option	LISY
C			
D			
E			
F			

DRAWN:
LISY
CHECKED:
JERRY
APPROVAL:
RORY

GENERAL TOLERANCE:

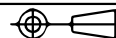
.X \pm 0.20
.XX \pm 0.15

UNIT: MM

SCALE:

SHEET: 3/3

PROJECTION:



Neltron Industrial Co., Ltd.

DESCRIPTION:

Micro Coaxial Receptacle SMT With 3 Pads
TR7 Packing List

PART NO:

7077-01-XX-XXX

SIZE

A4

RoHS Compliant