



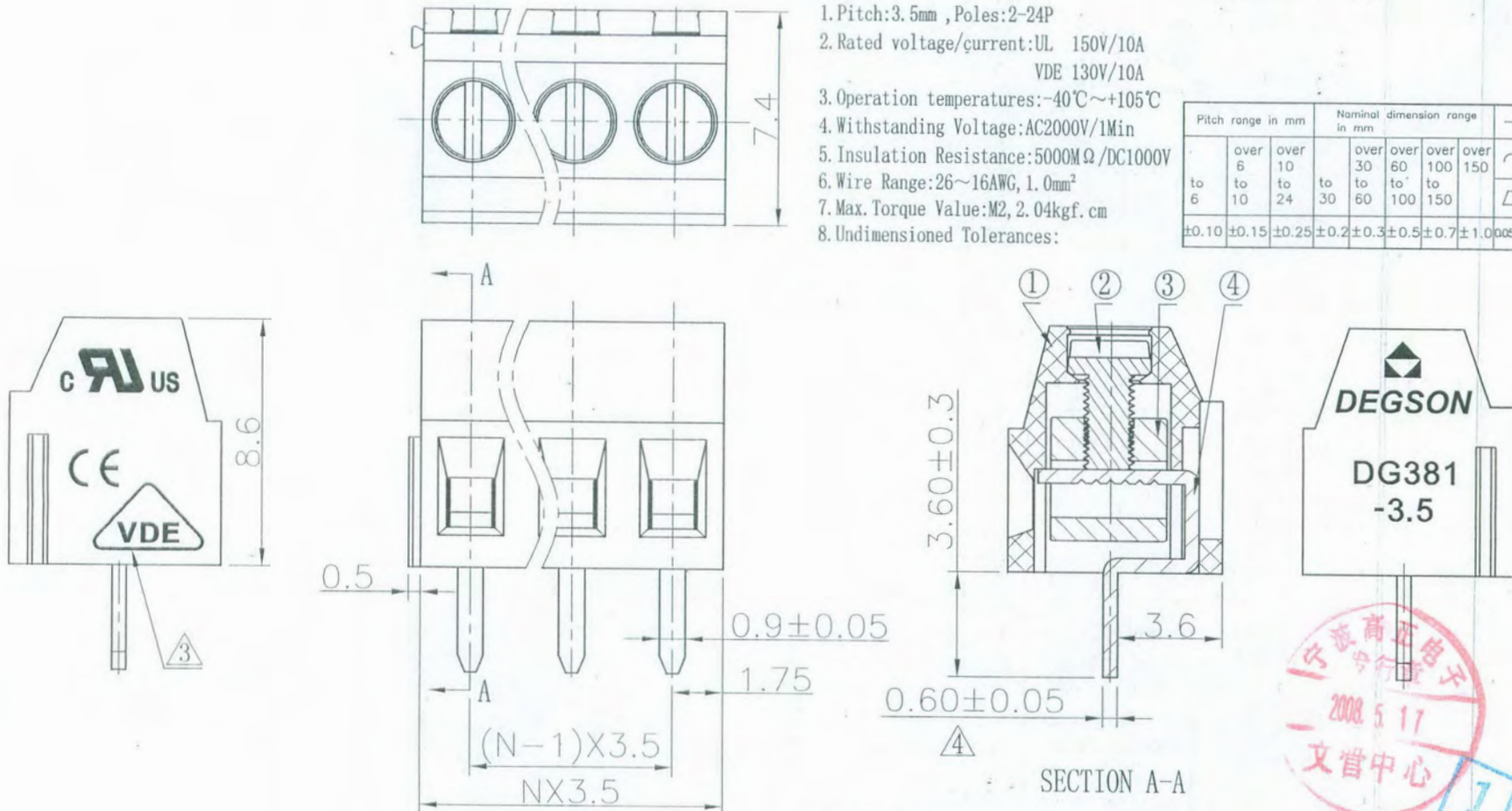
\\Degson-wenguan\010 文管中心-查收图面\DG381-3.5(修改焊脚料厚).dwg, 2008-5-17 14:04:05, Owner

REVISION RECORD				
REV	ECO	DESCRIPTION	DRFT	DATE
△		Drawing Revise	Haoyh	04/27/06
△		增加VDE、CE标志	LJH	11/12/07
△		修改焊脚厚度尺寸	LJH	05/17/08

Notes:

- Pitch: 3.5mm, Poles: 2-24P
- Rated voltage/current: UL 150V/10A
VDE 130V/10A
- Operation temperatures: -40°C ~ +105°C
- Withstanding Voltage: AC2000V/1Min
- Insulation Resistance: 5000MΩ/DC1000V
- Wire Range: 26~16AWG, 1.0mm²
- Max. Torque Value: M2, 2.04kgf.cm
- Undimensioned Tolerances:

Pitch range in mm		Nominal dimension range in mm						
to	over	to	over	to	over			
6	6	10	10	30	60	100	150	∩
6	10	24	30	60	100	150		□
±0.10	±0.15	±0.25	±0.2	±0.3	±0.5	±0.7	±1.0	0.05/10



4	DG381 Pin header	4047B00010(H)	XX	Phosphor bronze	SnCe
3	DG381 Cage	X000000300(H)	XX	Brass	Ni plated
2	DG381 Screws	S000001440(H)	XX	Steel	Cr ³⁺ Zn

ITEM	NAME OF PART	NO. OF PART	Q'TY	MATERIAL	NOTES
1	DG381-3.5-Housing	4032A0YXXA(H)	1	PA66	UL94V-0
TOLERANCES EXCEPT AS NOTED		DATE	DATE	DATE	DATE
MM (INCH)		DFTO Hooyh	DATE 05/16/05	CHKD Hang	DATE 05/17/08
.0 ±		MFO	DATE	APPVA hyl	DATE 05/17/08
.00 ±		MATERIAL :			
.000 ±		NAME			
ANGLES ± 1'		DEGSON® 宁波高正电子有限公司			
THIRD ANGLE PROJECTION		DEGSON ELECTRONICS CO., LTD			
SCALE :		NAME			
DO NOT SCALE DRAWING		DG381-3.5-XXP-1Y-00A(H)			
SHEET 1 OF 1		DRAWING NO. DG381-3.5-E02		SIZE	REV
		/PART NO.		A3	T4
				06/17/08	