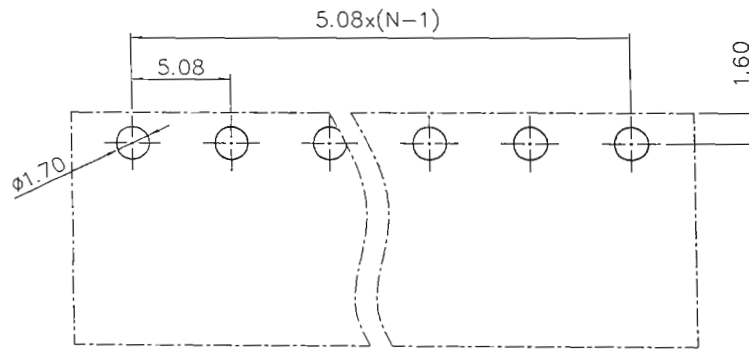
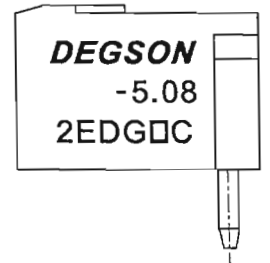
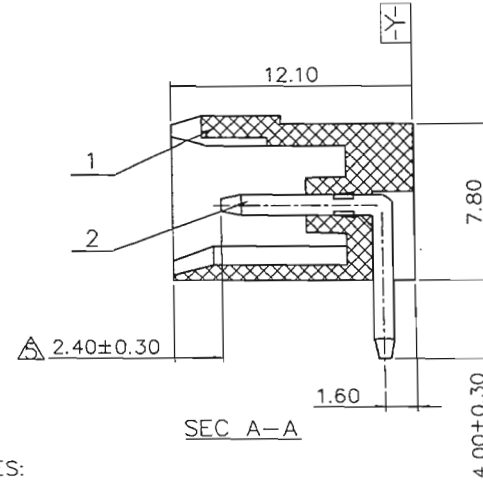
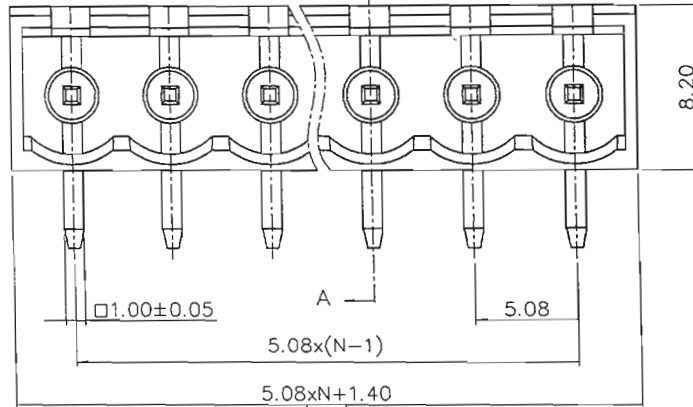
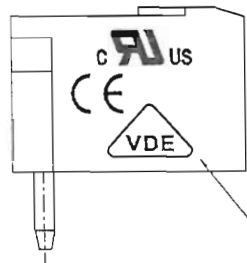


VIEW B



P.C.B LAYOUT

REVISION RECORD				
REV	ECN	DESCRIPTION	DRFT	DATE
△		Drawing emend	csx	04/21/06"
△		增加VDE、CE刻字	YeJ	02/27/08"
△		图面更新	YeJ	03/28/08"
△		增加自动化方针	WLM	09/23/08"
△	10-0329	增加标注尺寸	COCO	10/04/10"
△	14-0107	黄铜变紫铜, 料号变更; 工频耐压变更为额定冲击电压	WL	06/26/14"

- NOTES:
- 1.DIMENSION SHALL BE INTERPRETED PER ASME Y14.5-2009.
 - 2.PITCH: 5.08MM, POLES: 2-24P
 - 3.RATED VOLTAGE/CURRENT: UL 300V/15A VDE 320V/20A
 4. OPERATION TEMPERATURES: -40°C +105°C
 - 5.RATED IMPULSE VOLTAGE: 4.0KV △
 - 6.INSULATION RESISTANCE: 5000MΩ/DC1000V
 - 7.UNDIMENSIONED TOLERANCES:

Pitch range in mm		Nominal dimension range in mm					
to	over	over	over	over	over		
6	6 to 10	10 to 24	30 to 60	60 to 100	100 to 150	□	
±0.10	±0.15	±0.25	±0.2	±0.3	±0.5	±0.7	

ITEM	NAME OF PART	NO. OF PART	Q'TY	MATERIAL	NOTES
2	2EDGR-Pin header Automatic assembly	1008B00340(H)	XX	COPPER	SN PLATED
2	2EDGR(A)Pin header Manual assembly	1008B00330(H)	XX	COPPER	SN PLATED
1	2EDGRC-5.08-Housing	1009A0YXXA(H)	1	PA66	UL94V-0

DETACHED LISTS	MM (INCH)		MATERIAL:		宁波高正电子有限公司	
	TOLERANCES EXCEPT AS NOTED		FINISH:		DEGSON® DEGSON ELECTRONICS CO., LTD	
	.X ±	.X' ±	PART NO.:		NAME:	
	.XX ±	.XX' ±	DRFT: HW 08/23/05"		2EDGRC-5.08-XXP-1Y-00A(H)	
ANGLES ± 1'		APPD: <i>Axon 12/18/14</i>		TITLE: ASSEMBLY DRAWING		REV
THIRD ANGLE PROJECTION		CHKD: <i>Lim 12/18/14"</i>		DRAWING NO.: 2EDGRC-5.08-E06		T6
DO NOT SCALE DRAWING				SCALE	N/A	SHEET 1/1