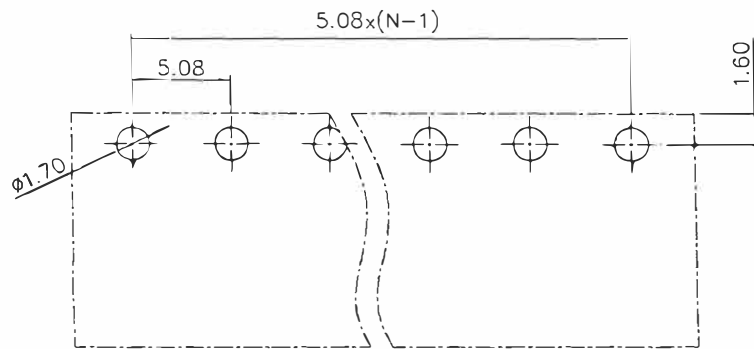
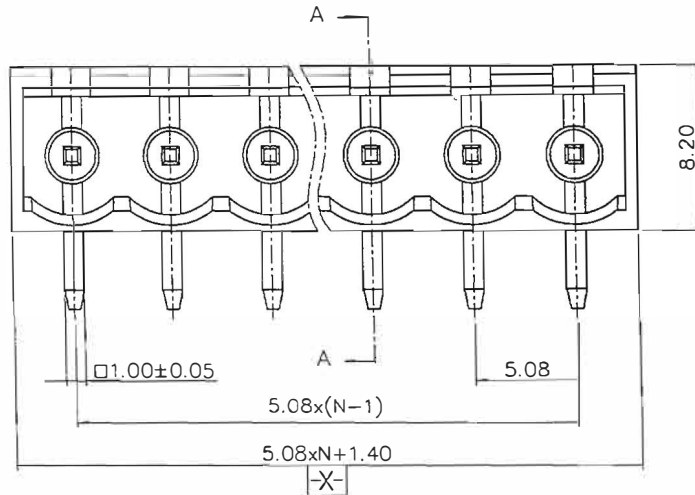
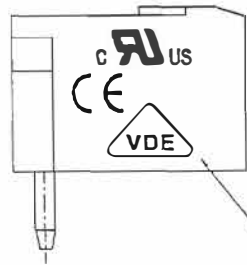
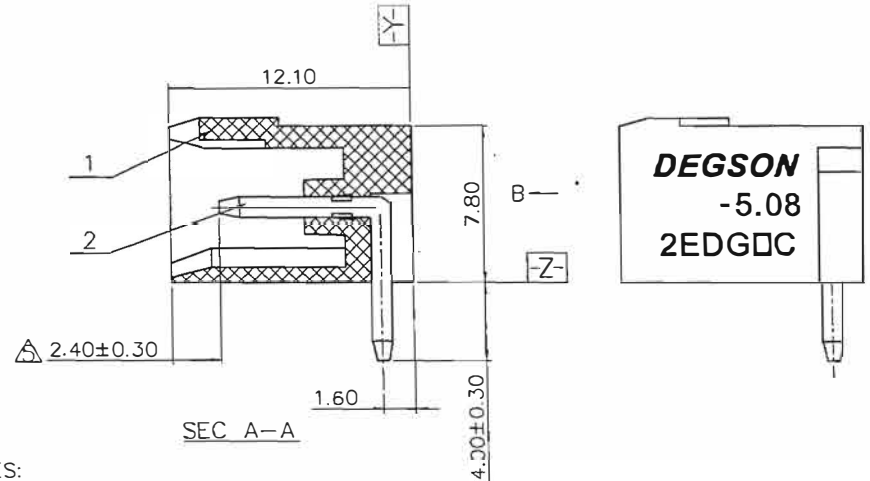


VIEW B



P.C.B LAYOUT

REVISION RECORD				
REV	ECN	DESCRIPTION	DRFT	DATE
△		Drawing emend	CSX	04/21/06"
△		增加VDE、CE刻字	YeJ	02/27/08"
△		图面更新	YeJ	03/28/08"
△		增加自动化方针	WLM	09/23/08"
△	10-0329	增加标注尺寸	COCO	10/04/10"
△	14-0107	黄铜变紫铜, 料号变更; 工频耐压变更为额定冲击电压	WL	06/26/14"



NOTES:

1. DIMENSION SHALL BE INTERPRETED PER ASME Y14.5-2009.
2. PITCH: 5.08MM, POLES: 2-24P
3. RATED VOLTAGE/CURRENT: UL 300V/15A VDE 320V/20A
4. OPERATION TEMPERATURES: -40°C~+105°C
5. RATED IMPULSE VOLTAGE: 4.0KV △
6. INSULATION RESISTANCE: 5000MΩ/DC1000V
7. UNDIMENSIONED TOLERANCES:

Pitch range in mm		Nominal dimension range in mm						
to	over	over	over	over	over	over		
6	6 to 10	10 to 24	30 to 60	60 to 100	100 to 150	150 to 300	∩	
±0.10	±0.15	±0.25	±0.2	±0.3	±0.5	±0.7	±1.0	

ITEM	NAME OF PART	NO. OF PART	Q'TY	MATERIAL	NOTES
△ △	2EDGR-Pin header Automatic assembly	1008B00340(H)	XX	COPPER	SN PLATED
△	2EDGR(A)Pin header Manual assembly	1008B00330(H)	XX	COPPER	SN PLATED
	1 2EDGRC-5.08-Housing	1009A0YXXA(H)	1	PA66	UL94V-0

MM (INCH)		MATERIAL:		FINISH:		PART NO.:		NAME:	
TOLERANCES EXCEPT AS NOTED		MATERIAL:		FINISH:		PART NO.:		NAME:	
.X ±	.X" ±	MATERIAL:		FINISH:		PART NO.:		NAME:	
.XX ±	.XX" ±	MATERIAL:		FINISH:		PART NO.:		NAME:	
.XXX ±	.XXX" ±	MATERIAL:		FINISH:		PART NO.:		NAME:	
ANGLES ± 1°		APPD: Daxun 12/18/14		TITLE: ASSEMBLY DRAWING		REV		T6	
THIRD ANGLE PROJECTION		CHKD: Lm 12/18/14		DRAWING NO.: 2EDGRC-5.08-E06		DO NOT SCALE DRAWING		SCALE N/A SHEET 1/1	
		DRFT: HW 08/23/05"							

DEGSON 宁波高正电子有限公司  
DEGSON ELECTRONICS CO., LTD

NAME: 2EDGRC-5.08-XXP-1Y-00A(H)

TITLE: ASSEMBLY DRAWING

DRAWING NO.: 2EDGRC-5.08-E06

DO NOT SCALE DRAWING SCALE N/A SHEET 1/1