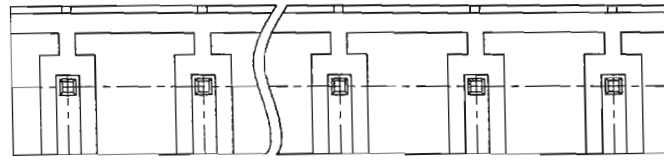


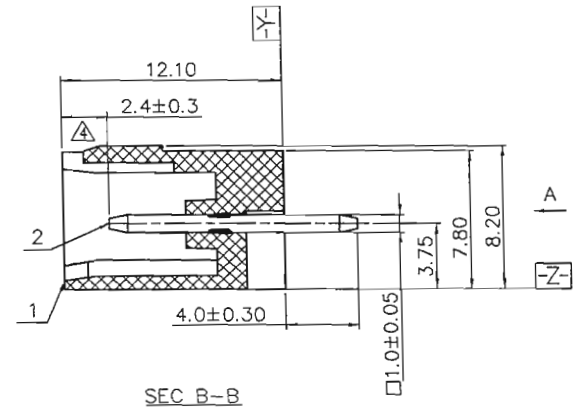
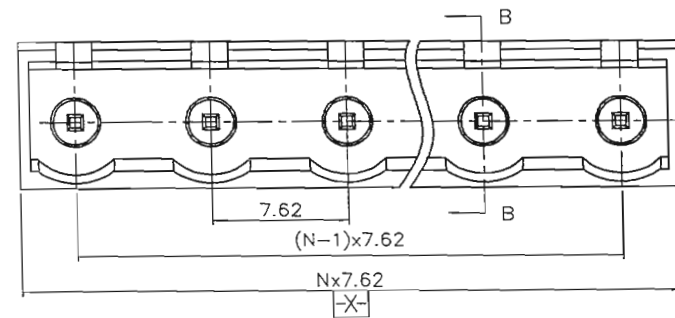
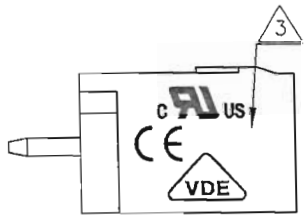


REVISION RECORD

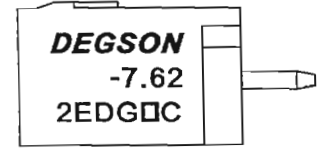
REV	ECN	DESCRIPTION	DRFT	DATE
△1		图面更新	csx	04/25/06
△2		将1007B00010改为1007B00030	Hang	05/24/06
△3		增加VDE、CE认证标志	CSX	12/14/07
△4	10-0329	增加标注尺寸	COCO	10/08/10
△5	11-0290	最长线数由12P改为13P	Golden	12/15/11
△6	14-0107	黄铜变紫铜, 料号变更; 工频耐压变更为额定冲击电压	HHJ	12/22/14



VIEW A

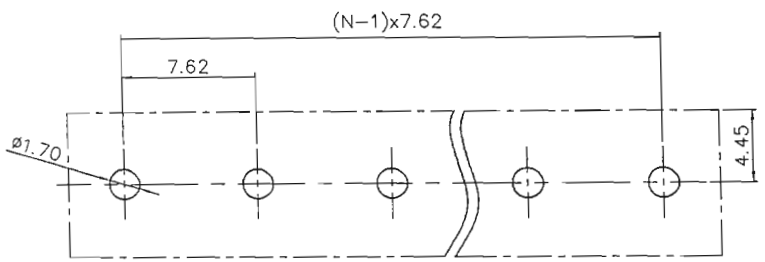


SEC B-B



Pitch range in mm		Nominal dimension range in mm				
to 6	over 6 to 10	over 10 to 24	to 30	over 30 to 60	over 60 to 100	over 100 to 150
±0.10	±0.15	±0.25	±0.2	±0.3	±0.5	±0.7
						±1.0

- NOTES:
- 1.DIMENSION SHALL BE INTERPRETED PER ASME Y14.5-2009.
 - 2.PITCH: 7.62MM ,POLES: N=2-13P
 - 3.RATED VOLTAGE/CURRENT: UL 300V/15A VDE 400V/20A
 - 4.OPERATION TEMPERATURES: -40℃~+105℃
 - 5.RATED IMPULSE VOLTAGE: 4.0KV
 - 6.INSULATION RESISTANCE: 5000MΩ/DC1000V
 - 7.UNDIMENSIONED TOLERANCES:



P.C.B LAYOUT

ITEM	NAME OF PART	NO. OF PART	QTY	MATERIAL	NOTES
2	2EDGV Pin header	1007B00330(H)	XX	COPPER	Sn Plated
1	2EDGVC-7.62 Housing	1023A0YXXA(H)	1	PA66	UL94V-0

DETACHED LISTS TOLERANCES EXCEPT AS NOTED .X ± .X' ± .XX ± .XX' ± .XXX ± .XXX' ±		MATERIAL: FINISH: PART NO.:		DEGSO [®] 宁波高正电子有限公司 DEGSO ELECTRONICS CO., LTD NAME: 2EDGVC-7.62-XXP-1Y-00A(H)	
ANGLES ± 1° THIRD ANGLE PROJECTION		APPD: Aaron 11/23/14 CHKD: X m r h s / a p r DRFT: HA0YH 04/12/04		TITLE: ASSEMBLY DRAWING DRAWING NO.: 2EDGVC-7.62-E03 DO NOT SCALE DRAWING SCALE: N/A	
				REV	T6
				SHEET	1/1