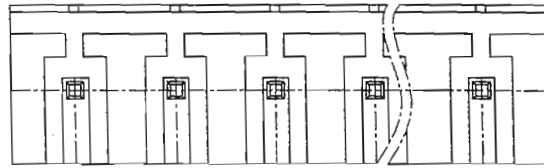
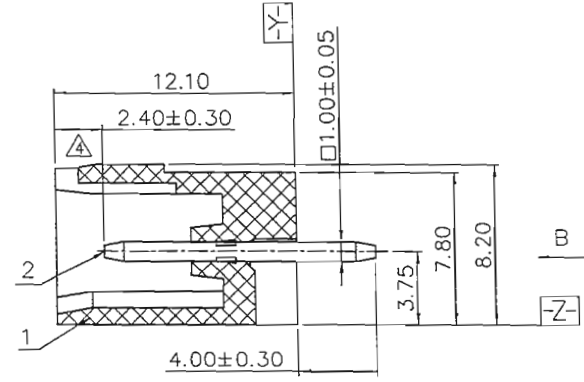
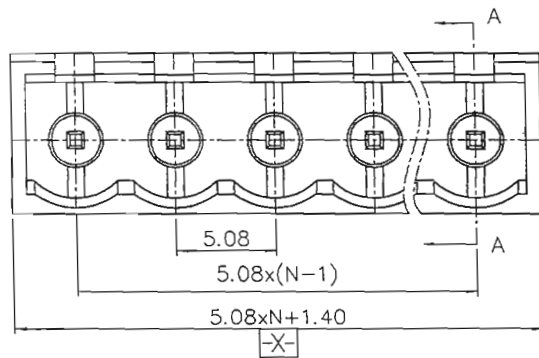
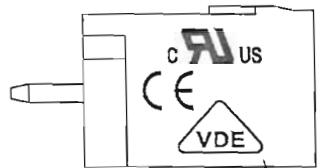




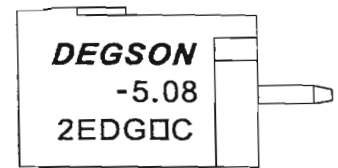
REVISION RECORD				
REV	ECN	DESCRIPTION	DRFT	DATE
△		图面更新	csx	05/06/06
△		增加VDE、CE刻字	YeJ	02/28/08
△		增加自动化方针	WLM	09/23/08
△	10-0329	增加标注尺寸	COCO	10/09/10
△	14-0107	黄铜变紫铜, 料号变更; 工频耐压变更为额定冲击电压	HHJ	12/22/14



VIEW B

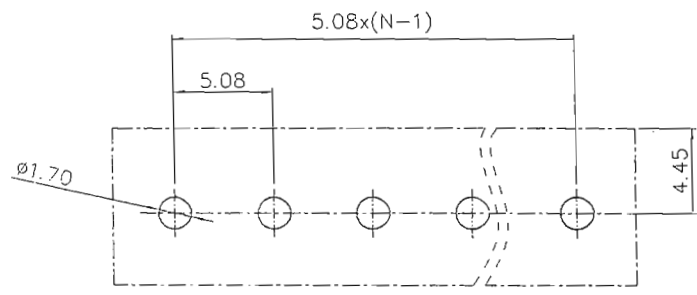


SEC A-A



Pitch range in mm		Nominal dimension range in mm							
	over 6 to 10	over 10 to 24	over 30 to 60	over 60 to 100	over 100 to 150	over 150			
to 6	±0.10	±0.15	±0.25	±0.2	±0.3	±0.5	±0.7	±1.0	0.05/0

- NOTES:
1. DIMENSION SHALL BE INTERPRETED PER ASME Y14.5-2009.
 2. PITCH: 5.08MM, POLES: 2-24P
 3. RATED VOLTAGE/CURRENT: UL 300V/15A VDE 320V/20A
 4. OPERATION TEMPERATURES: -40°C~+105°C
 5. RATED IMPULSE VOLTAGE: 4.0KV
 6. INSULATION RESISTANCE: 5000MΩ/DC1000V
 7. UNDIMENSIONED TOLERANCES:



P.C.B LAYOUT

ITEM	NAME OF PART	NO. OF PART	Q'TY	MATERIAL	NOTES
2	2EDGV-Pin header Automatic assembly	1007B00340(H)	XX	COPPER	Sn Plated
2	2EDGV-Pin header Manual assembly	1007B00330(H)	XX	COPPER	Sn Plated
1	2EDGVC-5.08 Housing	1009A0YXXA(H)	1	PA66	UL94V-0

DETAILED LISTS

MATERIAL: 宁波高正电子有限公司
DEGSON DEGSON ELECTRONICS CO., LTD.
 NAME: 2EDGVC-5.08-XXP-1Y-00A(H)
 TITLE: ASSEMBLY DRAWING
 DRAWING NO.: 2EDGVC-5.08-E06
 REV: T5
 SHEET: 1/1

APPD: Agon 11/23/14
 CHKD: Xm 12/23/14
 DRFT: HW 08/23/05

DO NOT SCALE DRAWING SCALE N/A