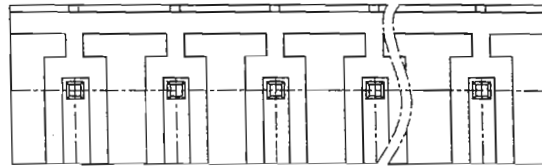


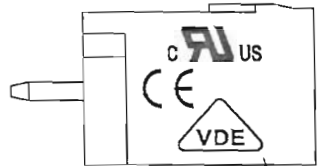


REVISION RECORD

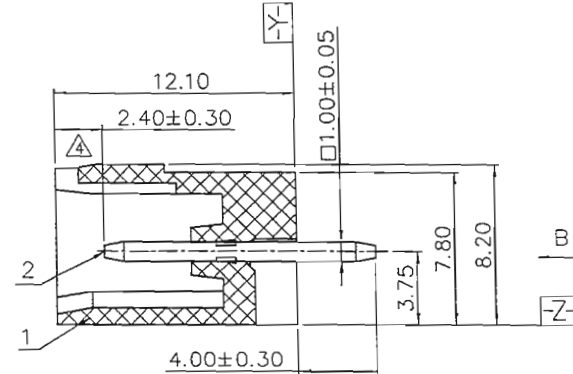
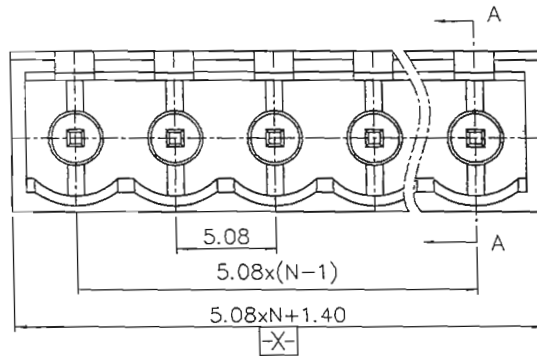
REV	ECN	DESCRIPTION	DRFT	DATE
△		图面更新	csx	05/06/06
△		增加VDE、CE刻字	YeJ	02/28/08
△		增加自动化方针	WLM	09/23/08
△	10-0329	增加标注尺寸	COCO	10/09/10
△	14-0107	黄铜变紫铜, 料号变更; 工频耐压变更为额定冲击电压	HHJ	12/22/14



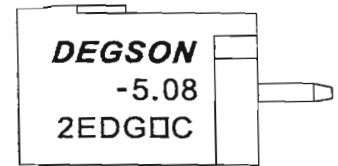
VIEW B



2



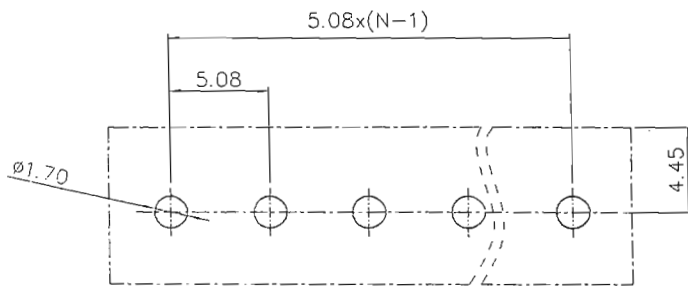
SEC A-A



Pitch range in mm			Nominal dimension range in mm				
to	over	to	to	to	to	to	
6	6	10	30	60	100	150	□
10	10	24	30	60	100	150	○
±0.10	±0.15	±0.25	±0.2	±0.3	±0.5	±0.7	±1.0

NOTES:

- 1.DIMENSION SHALL BE INTERPRETED PER ASME Y14.5-2009.
- 2.PITCH: 5.08MM,POLES: 2-24P
- 3.RATED VOLTAGE/CURRENT: UL 300V/15A VDE 320V/20A
- 4.OPERATION TEMPERATURES: -40°C~+105°C
- 5.RATED IMPULSE VOLTAGE: 4.0KV
- 6.INSULATION RESISTANCE: 5000MΩ/DC1000V
- 7.UNDIMENSIONED TOLERANCES:



P.C.B LAYOUT

ITEM	NAME OF PART	NO. OF PART	Q'TY	MATERIAL	NOTES
2	2EDGV-Pin header Automatic assembly	1007B00340(H)	XX	COPPER	Sn Plated
2	2EDGV-Pin header Manual assembly	1007B00330(H)	XX	COPPER	Sn Plated
1	2EDGVC-5.08 Housing	1009A0YXXA(H)	1	PA66	UL94V-0

DETACHED LISTS	MM (INCH)	MATERIAL:	宁波高正电子有限公司	
	TOLERANCES EXCEPT AS NOTED	FINISH:	DEGSON® DEGSON ELECTRONICS CO., LTD.	
	.X ± .XX ± .XXX ±	PART NO.:	NAME: 2EDGVC-5.08-XXP-1Y-00A(H)	
	ANGLES ± 1°	APPD: <i>Agorn 11/23/14</i>	TITLE: ASSEMBLY DRAWING	REV T5
THIRD ANGLE PROJECTION	CHKD: <i>Xm 12/23/14</i>	DRFT: HW 08/23/05	DRAWING NO.: 2EDGVC-5.08-E06	SHEET 1/1