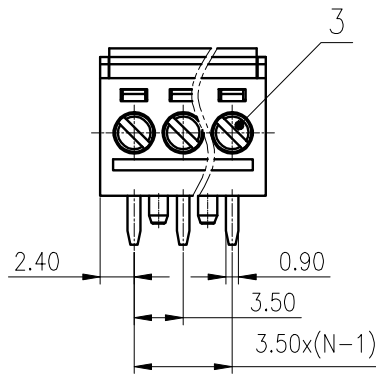
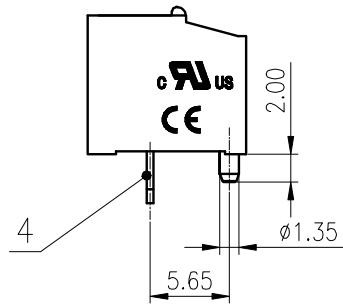
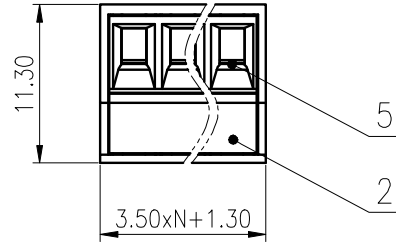
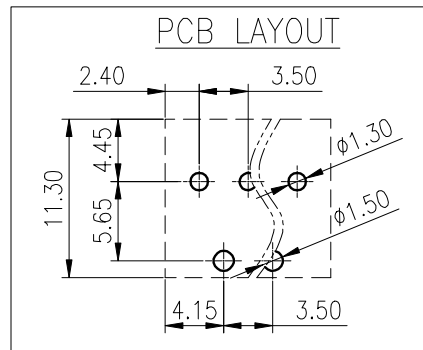
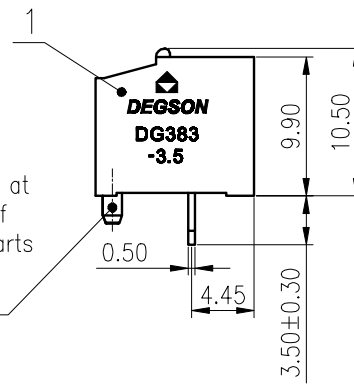




未注公差/General tolerances(mm)														
0	>3	>6	>10	>18	>30	>50	>80	>120	>180	>250	>315	>400	>500	0.1/10 ±2'
~3	~6	~10	~18	~30	~50	~80	~120	~180	~250	~315	~400	~500	~2.50	
±0.12	±0.18	±0.22	±0.26	±0.31	±0.37	±0.57	±0.80	±0.93	±1.05	±1.15	±1.60	±2.20	±2.50	



No cylindrical at the bottom of the plastic parts if poles more than three



5	Cage	Copper alloy	M2/Ni Plated
4	Pin Header	Copper alloy	Sn Plated
3	Screw	Steel	M2/Zn Plated
2	Cover	PA66	UL94V-0
1	Housing	PA66	UL94V-0

ITEM	NAME OF PART	MATERIAL	NOTES	
UL 标准/UL Standard:				
额定电压/电流/Rated Voltage(V)/Current(A)		B	C	D
		300/15	/	/
IEC 标准/IEC Standard:				
过压类别/Overvoltage Category/污染等级/Pollution Degree		III/3	III/2	II/2
额定电压/电流/Rated Voltage(V)/Current(A)		160/12	160/12	320/12
额定脉冲电压(KV)/Rate Impulse Voltage(KV)		2.5	2.5	2.5
螺丝扭矩/Torque Tightening(N·m/Lb.in)		M2, 0.2/2.0		
线径范围(硬线和软线)/Wire Range(rigid and flexible)(mm ² /AWG)		0.2~1.5/30~14		
间距/Pitch(mm)/线数范围/Poles		3.50/N=02~12P		
剥线长度/Stripping length(mm)		6~7		
使用温度范围/Operating temperature(°C)		-40~+105		
符合RoHS环保要求/Conform to RoHS		Yes		
标准颜色编号/Standard color number:		PANTONE / RAL		

MATERIAL:	SURFACE:		
MAT NO.:	/		
STATUS:	/		
APPD: Li GL 2020.06.22	NAME: 宁波高松电子有限公司 NINGBO DEGSON ELECTRICAL CO., LTD		
CHKD: Mao J 2020.06.22	DG383-3.5-XXP-1Y-00A(H)		
DRFT:Wang LX 2020.06.22	DRAWING NO.:	DG383-3.5-C01	REV T1
④	SIZE: A4	TYPE: CUSTOMER DRAWING	SCALE: 2:1 SHEET 1/1

REV	ECN	DESCRIPTION	DRFT	DATE