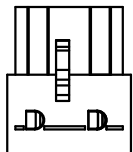
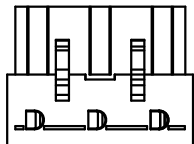


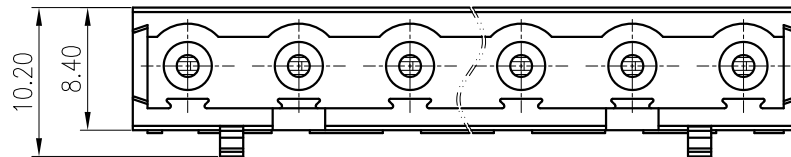
A



N=02P

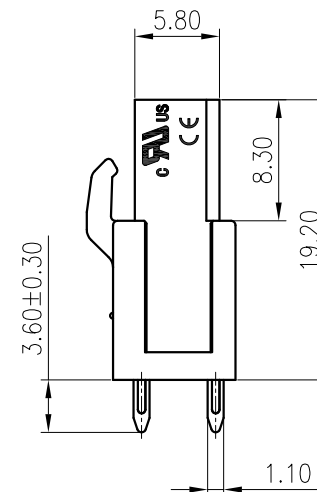
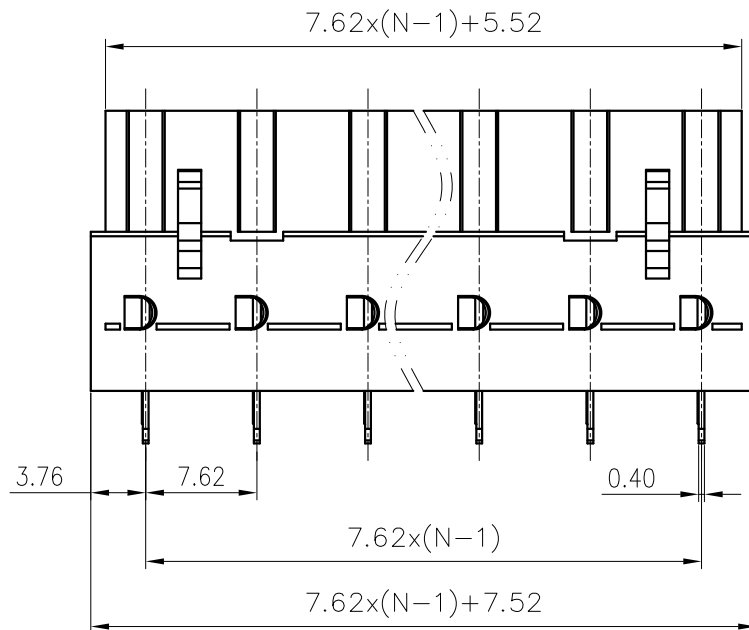
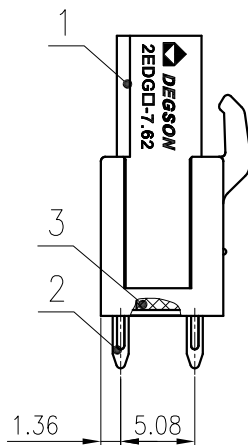


N=03P



未注公差/General tolerances(mm)														
0	>3	>6	>10	>18	>30	>50	>80	>120	>180	>250	>315	>400	>500	0.1/10
~3	~6	~10	~18	~30	~50	~80	~120	~180	~250	~315	~400	~500	~2.50	∠
±0.12	±0.18	±0.22	±0.26	±0.31	±0.37	±0.57	±0.80	±0.93	±1.05	±1.15	±1.60	±2.20	±2.50	±2'
UL 标准/UL Standard:														
额定电压/电流/Rated Voltage(V)/Current(A)														
EC 标准/IEC Standard:														
过压类别/Overvoltage Category/污染等级/Pollution Degree														
额定电压/电流/Rated Voltage(V)/Current(A)														
额定脉冲电压(KV)/Rate Impulse Voltage(KV)														
间距/Pitch(mm)/线数范围/Poles														
使用温度范围/Operating temperature(°C)														
符合RoHS环保要求/Conform to RoHS														
标准颜色编号/Standard color number: PANTONE / RAL														

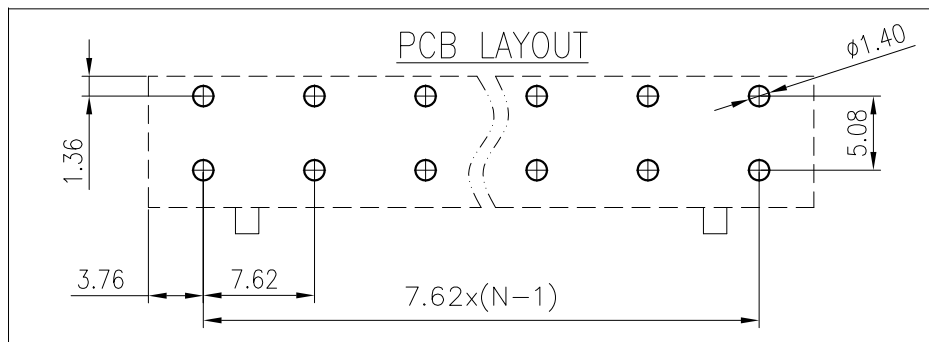
B



C



D



3	Clamp	Copper alloy	Sn Plated
2	Cover	PA66	UL94V-0
1	Housing	PA66	UL94V-0
ITEM	NAME OF PART	MATERIAL	NOTES

MATERIAL:	/	SURFACE:	/
MAT NO.:	/	宁波高松电子有限公司 NINGBO DEGSON ELECTRICAL CO., LTD	
STATUS:	/		
APPD: Li GL 2020.06.17	NAME:	2EDGB-7.62-XXP-14-00A(H)	
CHKD: Mao J 2020.06.17	DRAWING NO.:	2EDGB-7.62-C01	REV TO
DRFT: Wang Y2 2020.06.17	TYPE: CUSTOMER DRAWING	SCALE: 2:1	SHEET 1/1

REV	ECN	DESCRIPTION	DRFT	DATE
-----	-----	-------------	------	------