

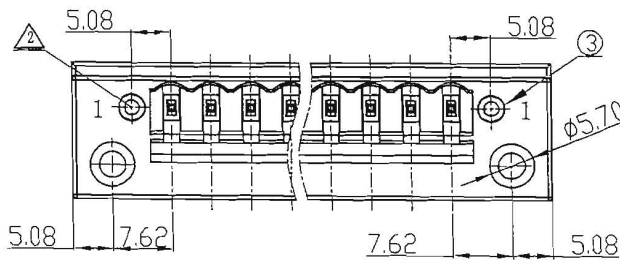
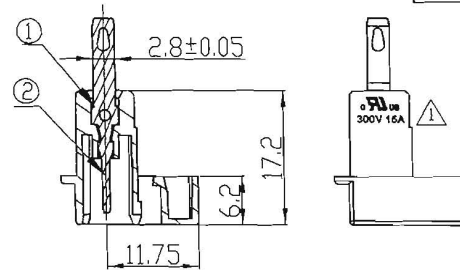
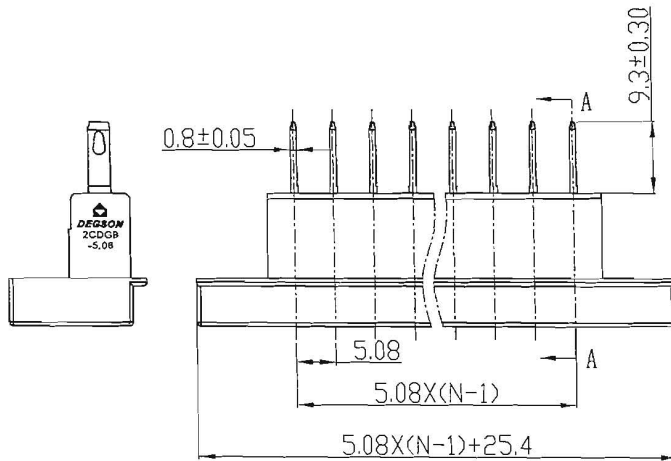
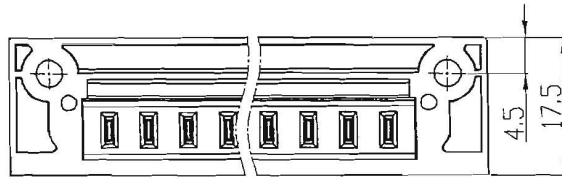


| REVISION RECORD | | | | |
|-----------------|---------|----------------|--------|----------|
| REV | ECN | DESCRIPTION | DRFT | DATE |
| △ | 09-0122 | 增加UL刻字参数 | Wickey | 11/07/09 |
| △ | 12-0042 | 修改螺帽孔结构,增加打字标识 | ZMT | 03/14/12 |

Notes:

1. Pitch:5.08mm, Ploes:2-24P
2. Rated voltage/current:UL 300V 15A
VDE 320V 12A
3. Operation temperatures:-40°C~+105°C
4. Withstanding Voltage:AC2000V/1Min
5. Insulation Resistance:5000MΩ/DC1000V
6. Undimensioned Tolerances:

| Pitch range in mm | | Nominal dimension range in mm | | | | | | |
|-------------------|-------|-------------------------------|------|------|------|------|------|--------|
| to | over | to | over | to | over | to | over | |
| 6 | 6 | 10 | 10 | 30 | 60 | 100 | 150 | ∩ |
| | 10 | 24 | 30 | 60 | 100 | 150 | | ∇ |
| ±0.10 | ±0.15 | ±0.25 | ±0.2 | ±0.3 | ±0.5 | ±0.7 | ±1.0 | 0.05/0 |



文管中心
 研发专用
 2014.07.21
 (仅限内部使用, 对外无效)

| 3 | 2EDG-Screw cap | S000001040 | 2 | Brass | | | | | | | | | | | | | | | | | | | | | | | | | | | | | | | | | | | | | | | | |
|--|--------------------|----------------|--|----------|----------|------------------------|-----------|---------------|--|--|--|----------------------------|------|------|---------|-----|------|-------|-------|------|--------|--|--|--------------------------------|--|--|-------------|--|--|----------------------------|--|--|------------------------|--|--|-----------|--|--|---------|--|--|----------------------|--|--|
| 2 | 2CDGB-5.08 PIN | 1154B00010 (H) | XX | Brass | SnCe | | | | | | | | | | | | | | | | | | | | | | | | | | | | | | | | | | | | | | | |
| 1 | 2CDGB-5.08 HOUSING | 1154A0YXXA (H) | 1 | PAC6 | UL94V-0 | | | | | | | | | | | | | | | | | | | | | | | | | | | | | | | | | | | | | | | |
| ITEM | NAME OF PART | NO. OF PART | Q*TY | MATERIAL | NOTES | | | | | | | | | | | | | | | | | | | | | | | | | | | | | | | | | | | | | | | |
| <table border="0" style="width: 100%;"> <tr> <td style="width: 15%;">DETTACHED LISTS</td> <td style="width: 15%;">MM (INCH)</td> <td style="width: 15%;">DATE 06/14/07</td> <td colspan="3" rowspan="4" style="text-align: center; vertical-align: middle;"> 宁波嘉正电子有限公司 DEGSON ELECTRONICS CO., LTD. </td> </tr> <tr> <td>TOLERANCES EXCEPT AS NOTED</td> <td>CHKD</td> <td>DATE</td> </tr> <tr> <td>MM .0 ±</td> <td>MFD</td> <td>DATE</td> </tr> <tr> <td>.00 ±</td> <td>APPVL</td> <td>DATE</td> </tr> <tr> <td>.000 ±</td> <td></td> <td></td> <td colspan="3">NAME: 2CDGB-5.08-XXP-1Y-00A(H)</td> </tr> <tr> <td colspan="3">ANGLES ± 1°</td> <td colspan="3">DRAWING NO. 2CDGB-5.08-E01</td> </tr> <tr> <td colspan="3">THIRD ANGLE PROJECTION</td> <td colspan="3">/PART NO.</td> </tr> <tr> <td colspan="3">SCALE :</td> <td colspan="3">DO NOT SCALE DRAWING</td> </tr> </table> | | | | | | DETTACHED LISTS | MM (INCH) | DATE 06/14/07 | 宁波嘉正电子有限公司 DEGSON ELECTRONICS CO., LTD. | | | TOLERANCES EXCEPT AS NOTED | CHKD | DATE | MM .0 ± | MFD | DATE | .00 ± | APPVL | DATE | .000 ± | | | NAME: 2CDGB-5.08-XXP-1Y-00A(H) | | | ANGLES ± 1° | | | DRAWING NO. 2CDGB-5.08-E01 | | | THIRD ANGLE PROJECTION | | | /PART NO. | | | SCALE : | | | DO NOT SCALE DRAWING | | |
| DETTACHED LISTS | MM (INCH) | DATE 06/14/07 | 宁波嘉正电子有限公司 DEGSON ELECTRONICS CO., LTD. | | | | | | | | | | | | | | | | | | | | | | | | | | | | | | | | | | | | | | | | | |
| TOLERANCES EXCEPT AS NOTED | CHKD | DATE | | | | | | | | | | | | | | | | | | | | | | | | | | | | | | | | | | | | | | | | | | |
| MM .0 ± | MFD | DATE | | | | | | | | | | | | | | | | | | | | | | | | | | | | | | | | | | | | | | | | | | |
| .00 ± | APPVL | DATE | | | | | | | | | | | | | | | | | | | | | | | | | | | | | | | | | | | | | | | | | | |
| .000 ± | | | NAME: 2CDGB-5.08-XXP-1Y-00A(H) | | | | | | | | | | | | | | | | | | | | | | | | | | | | | | | | | | | | | | | | | |
| ANGLES ± 1° | | | DRAWING NO. 2CDGB-5.08-E01 | | | | | | | | | | | | | | | | | | | | | | | | | | | | | | | | | | | | | | | | | |
| THIRD ANGLE PROJECTION | | | /PART NO. | | | | | | | | | | | | | | | | | | | | | | | | | | | | | | | | | | | | | | | | | |
| SCALE : | | | DO NOT SCALE DRAWING | | | | | | | | | | | | | | | | | | | | | | | | | | | | | | | | | | | | | | | | | |
| | | | SIZE A3 | REV T2 | 03/14/12 | | | | | | | | | | | | | | | | | | | | | | | | | | | | | | | | | | | | | | | |
| | | | SHEET 1 | OF 1 | | | | | | | | | | | | | | | | | | | | | | | | | | | | | | | | | | | | | | | | |