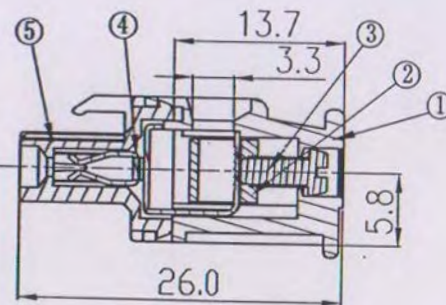
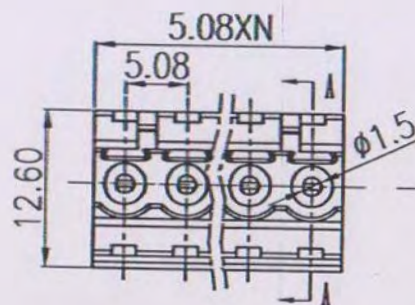
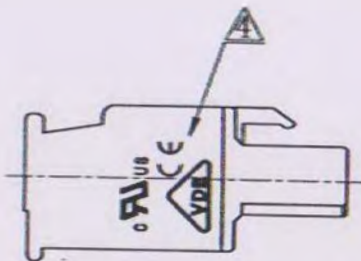
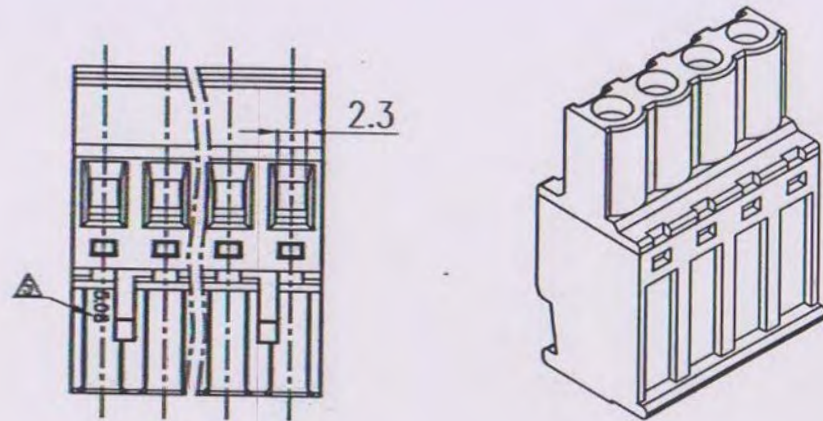
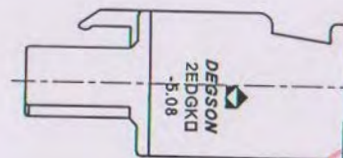




REVISION RECORD				
REV	ECO	DESCRIPTION	DRFT	DATE
△		Drawing emend	CSX	04/18/06*
△		工程变更	CSX	11/30/06*
△		增加UL刻字	CSX	03/12/07*
△		增加VDE、CE刻字	WLM	02/10/09*
△	11-0184	盖板上增加间距刻字	lasting	07/12/11*



Section B-B



Notes:

1. Pitch: 5.08mm, Poles: 2-24P
2. Rated voltage/current: UL 300V/15A  
VDE 320V/10A
3. Operation temperatures: -45°C ~ +105°C
4. Withstanding Voltage: AC2000V/1Min
5. Insulation Resistance: 5000Ω/DC1000V
6. Wire Range: 28~12AWG, 2.5mm<sup>2</sup>
7. Max. Torque Value: M2.5, 4.08kgf.cm
8. Undimensioned Tolerances:

Pitch range in mm		Nominal dimension range in mm						
to	over	to	over	to	over	to		
5	6 to 10	30	30 to 60	60	60 to 100	100	150	∩
	10 to 24	±0.25	±0.3	±0.5	±0.7	±1.0	±0.05/0.10	□

ITEM	NAME OF PART	NO. OF PART	QTY	MATERIAL	NOTES
5	2EDGKA/B-5.08 (H) COVER	1028COYXXA (H)	1	PA66	UL94V-0
4	2EDGKA/B-CLAMP	1028B00010 (H)	XX	Phospor Bronze	Ni plated
3	2EDG "—" SCREW-M2.5	S000000980 △	XX	Stell	Cr <sup>3+</sup> Zn
2	DG128 CAGE	X000000020 (H)	XX	Brass	Ni plated

1	2EDGKA/B-5.08 (H) HOUSING	1028AOYXXA (H)	1	PA66	UL94V-0
NAME OF PART		NO. OF PART	QTY	MATERIAL	NOTES
TOLERANCES EXCEPT AS NOTED		DATE 10/06/05*			
DFTO HW		CHKD	DATE 7/14/11*		
MFO		DATE 07/14/11			
APPLY Hang		MATERIAL :			
ANGLES ± 1°		G.E. :			
THIRD ANGLE PROJECTION		FINISH :			
		SCALE :			
		NAME			
		2EDGKA-5.08-XXP-1Y-00A(H)			
		DRAWING NO. 2EDGKA-5.08-E03			
		PART NO.			
		DO NOT SCALE DRAWING			
		SHEET 1 OF 1			

