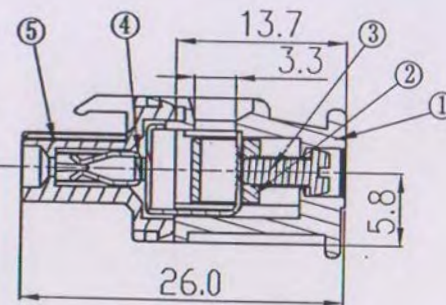
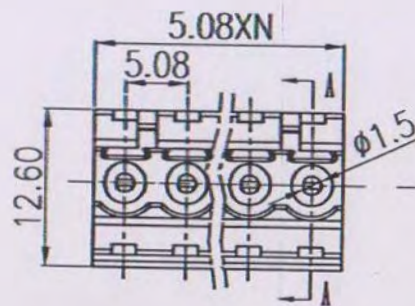
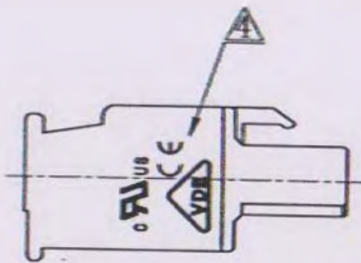
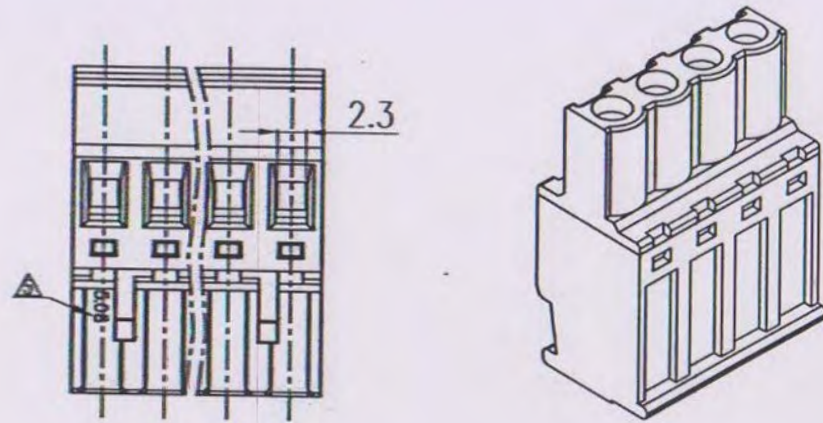
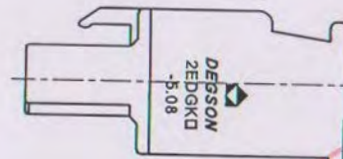




REVISION RECORD				
REV	ECO	DESCRIPTION	DRFT	DATE
△		Drawing emend	CSX	04/18/06*
△		工程变更	CSX	11/30/06*
△		增加UL刻字	CSX	03/12/07*
△		增加VDE、CE刻字	WLM	02/10/09*
△	11-0184	盖板上增加间距刻字	lasting	07/12/11*



Section B-B



Notes:

1. Pitch: 5.08mm, Poles: 2-24P
2. Rated voltage/current: UL 300V/15A
VDE 320V/10A
3. Operation temperatures: -45°C ~ +105°C
4. Withstanding Voltage: AC2000V/1Min
5. Insulation Resistance: 5000Ω/DC1000V
6. Wire Range: 28~12AWG, 2.5mm²
7. Max. Torque Value: M2.5, 4.08kgf.cm
8. Undimensioned Tolerances:

Pitch range in mm		Nominal dimension range in mm					
to	over	to	over	to	over	to	
5	6 to 10	30	30 to 60	60	60 to 100	100 to 150	□
±0.10	±0.15	±0.25	±0.2	±0.3	±0.5	±0.7	±1.0

ITEM	NAME OF PART	NO. OF PART	QTY	MATERIAL	NOTES
5	2EDGKA/B-5.08 (H) COVER	1028C0YXXA (H)	1	PA66	UL94V-0
4	2EDGKA/B-CLAMP	1028B00010 (H)	XX	Phosbor Bronze	Ni plated
3	2EDG "—" SCREW-M2.5	S000000980 △	XX	Stell	Cr ³⁺ Zn
2	DG128 CAGE	X000000020 (H)	XX	Brass	Ni plated

ITEM	NAME OF PART	NO. OF PART	QTY	MATERIAL	NOTES
1	2EDGKA/B-5.08 (H) HOUSING	1028A0YXXA (H)	1	PA66	UL94V-0

MM (INCH)	DFTO HW	DATE 10/06/05*
TOLERANCES EXCEPT AS NOTED	CHKD <i>[Signature]</i>	DATE 7/14/11*
MFO	MFO	DATE 07/14/11
APPLY <i>Hang</i>	MATERIAL :	
ANGLES ± 1°	G.E. :	
THIRD ANGLE PROJECTION	FINISH :	
	SCALE :	

NAME		宁波高正电子有限公司	
2EDGKA-5.08-XXP-1Y-00A(H)		DEGSON ELECTRONICS CO., LTD	
DRAWING NO. 2EDGKA-5.08-E03	SIZE A3	REV T5	07/13/11*
PART NO.		DO NOT SCALE DRAWING	
SHEET 1		OF 1	

