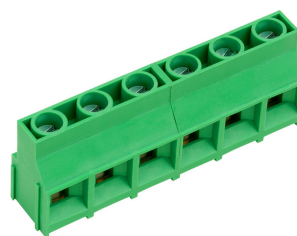


## AKZ841/..-9.52-V-GREEN



## Technical Data

Wire Sizes		Insulating Material	
Solid min	0.2 mm <sup>2</sup>	Material	PA 6.6
solid max	6.0 mm <sup>2</sup>	Flammability Class	UL 94 V-0
Stranded (flexible) min	0.2 mm <sup>2</sup>	<b>Temperatures</b>	
Stranded (flexible) max	4.0 mm <sup>2</sup>	Operating Temperature	-30 °C - 105 °C
Stranded with Ferrule min	0.25 mm <sup>2</sup>	<b>Wave Soldering Process</b>	
Stranded with Ferrule max	4.0 mm <sup>2</sup>	Soldering Temperature, recommended	265 °C
<b>Dimensions</b>		Peak Soldering Time, recommended	3-4 s
Stripped Length	7.0 mm	<b>Reflow Process</b>	
PCB Hole Diameter	1.6 mm	Soldering Temperature, recommended	-
<b>Materials</b>		Peak Soldering Time, recommended	-
Clamp	Brass		
Screw	Steel		
Solder Tag	Brass		

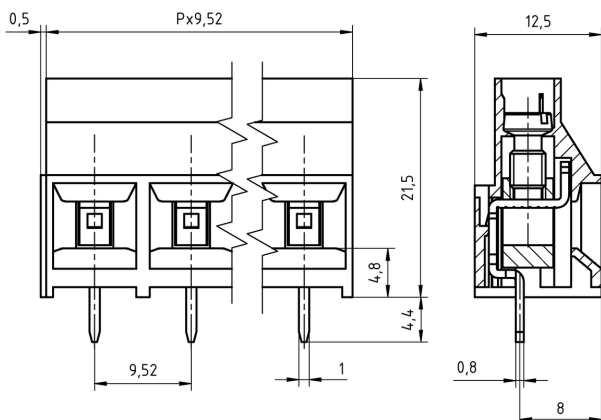
## Colours

	GREEN, RAL6018
	LIGHT GREEN, similar RAL 6018

Colours according to RAL, there may be variations on colour due to production conditions.  
Special colours on request.

## Order Data (Spacing mm)

Poles	Width (mm)	Article Designation	Article Number	PU
2	19.54	AKZ841/2-9.52-V-GREEN	50841020201D	50
3	29.06	AKZ841/3-9.52-V-GREEN	50841030201D	50
4	38.58	AKZ841/4-9.52-V-GREEN	50841040201D	50
5	48.10	AKZ841/5-9.52-V-GREEN	50841050201D	50
6	57.62	AKZ841/6-9.52-V-GREEN	50841060201D	50
7	67.14	AKZ841/7-9.52-V-GREEN	50841070201D	50
8	76.66	AKZ841/8-9.52-V-GREEN	50841080201D	50
9	86.18	AKZ841/9-9.52-V-GREEN	50841090201D	50
10	95.70	AKZ841/10-9.52-V-GREEN	50841100201D	50
11	105.22	AKZ841/11-9.52-V-GREEN	50841110201D	50
12	114.74	AKZ841/12-9.52-V-GREEN	50841120201D	50
13	124.26	AKZ841/13-9.52-V-GREEN	50841130201D	50
14	133.78	AKZ841/14-9.52-V-GREEN	50841140201D	50
15	143.30	AKZ841/15-9.52-V-GREEN	50841150201D	50
16	152.82	AKZ841/16-9.52-V-GREEN	50841160201D	50



## Ratings



Usegroup	B	C	D		
Rated Voltage	300 V	-	600 V	1000 V	
Rated Current	30 A	-	5 A	32 A	
Rated Wire Size			min		max
	solid	AWG 28-10	-	AWG 28-10	0.2 mm <sup>2</sup>
	stranded	AWG 28-10	-	AWG 28-10	0.2 mm <sup>2</sup>
Torque	0.80 Nm		0.80 Nm		0.80 Nm
Screw Size	M3.5		M3.5		M3.5
Test Voltage	1.6 kV		1.6 kV		3.5 kV