



REVISION RECORD

| REV | ECN     | DESCRIPTION            | DRFT | DATE       |
|-----|---------|------------------------|------|------------|
| △   | 17-0056 | Change the spring      | WH   | 2017.03.15 |
| △   | 17-0208 | Increase certification | CMZ  | 2018.03.13 |

NOTES1:

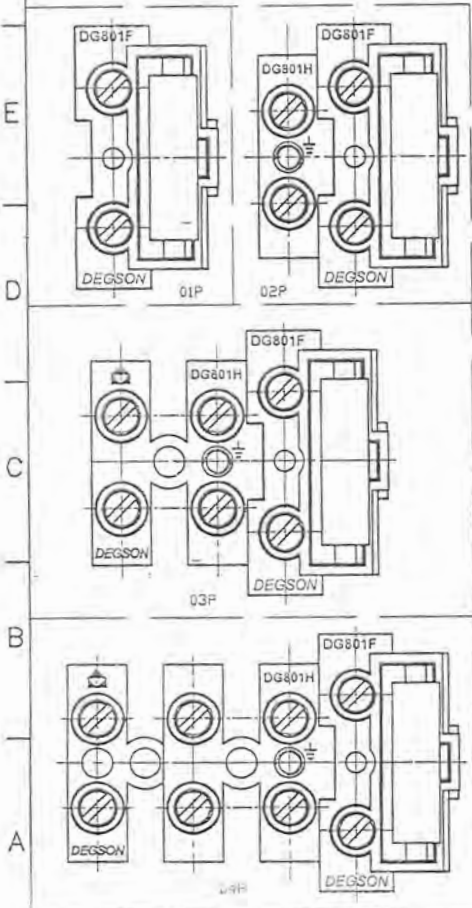
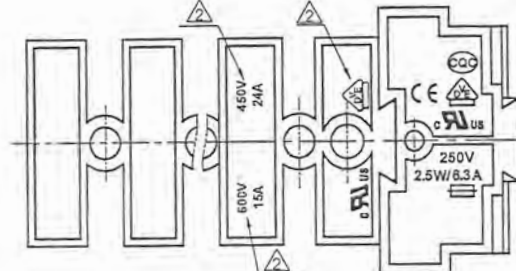
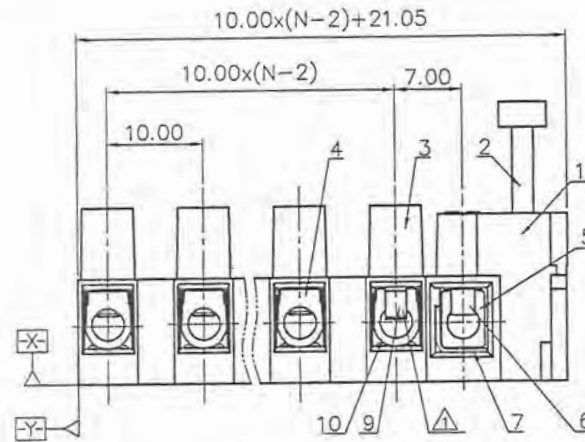
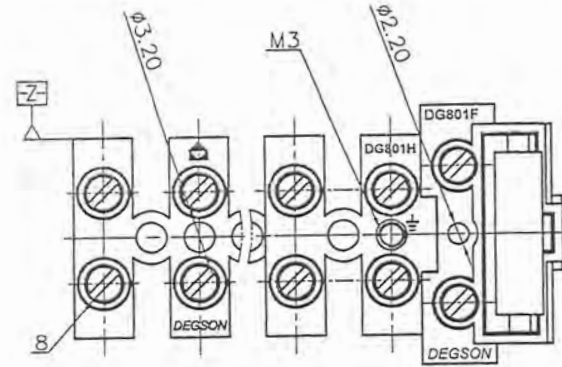
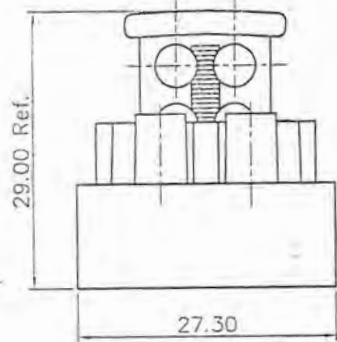
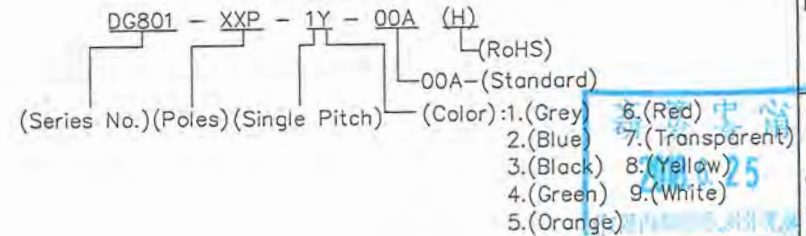
- UL Standard  
 △ 1. Rated voltage/current : 300V / 6.3A(DG801F)  
 600V / 15A(DG801H)  
 2. Torque value : M3 , 4.43Lb.in  
 3. Wire range : 22~14AWG  
 IEC Standard  
 △ 1. Rated voltage/current : 250V / 6.3A(DG801F)  
 450V / 24A(DG801H)  
 2. Torque value : M3 , 0.5N.m  
 △ 3. Wire range : 0.5~2.5mm<sup>2</sup>

NOTES2:

1. Dimension shall be interpreted per ASME Y14.5-2009  
 2. Pitch : 10.00mm, Poles : N=01~05P  
 3. Stripping length : 6~7mm  
 4. Withstanding voltage : AC2000V/1Min  
 5. Operating temperature : -40°C~+105°C  
 6. Undimensioned tolerances:

| Pitch range in mm |       | Nominal dimension range in mm |       |       |       | ∓      | ∕     | □   |
|-------------------|-------|-------------------------------|-------|-------|-------|--------|-------|-----|
| TO                | Over  | TO                            | Over  | TO    | Over  | 0.1/10 |       |     |
| 6                 | 10    | 10                            | 30    | 30    | 60    | 100    | 150   | ≤   |
| ±0.15             | ±0.20 | ±0.30                         | ±0.30 | ±0.50 | ±0.70 | ±1.00  | ±1.30 | ±2' |

7. RoHS Compliance



| ITEM | NAME OF PART    | MATERIAL           | NOTES        |
|------|-----------------|--------------------|--------------|
| 10   | Cage2           | Copper alloy       | Ni plated    |
| 9    | Spring2         | Stainless steel    | /            |
| 8    | Screw           | Steel              | M3/Zn plated |
| 7    | Clamp           | Copper alloy       | Ni plated    |
| 6    | Spring1         | Stainless steel    | /            |
| 5    | Cage1           | Copper alloy       | Ni plated    |
| 4    | Current carrier | Steel+Copper alloy | Ni plated    |

PART NO.: /

APPD: *Sum 2018.4.12*

CHKD: *Xm 2018.4.12*

DRFT: CMZ 2016.12.30

DEGSON 宁波高松电子有限公司  
 NINGBO DEGSON ELECTRICAL CO., LTD

NAME: DG801-XXP-1Y-00A(H)

|                         |                      |
|-------------------------|----------------------|
| TITLE: CUSTOMER DRAWING | REV: T2              |
| DRAWING NO.: DG801-C01  | SHEET: 1/1           |
| MM (INCH)               | DO NOT SCALE DRAWING |
| SCALE: 1:1              |                      |

THIRD ANGLE PROJECTION