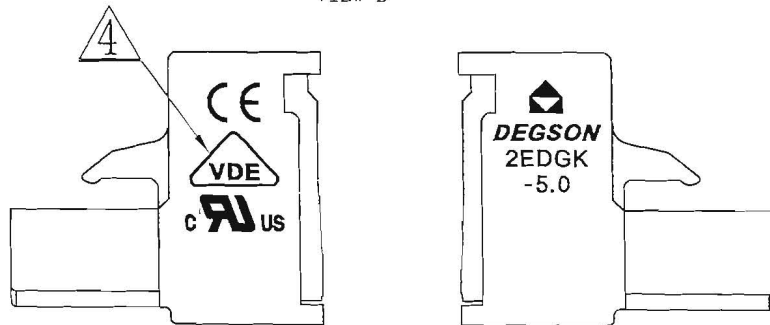
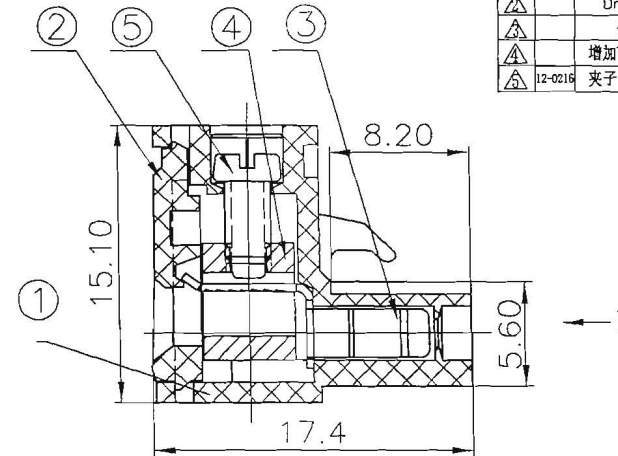


VIEW-B



|   |                     |               |    |                |                     |
|---|---------------------|---------------|----|----------------|---------------------|
| 5 | 2EDG "—"Screws-M2.5 | S000001370(H) | XX | Steel          | Cr <sup>3+</sup> Zn |
| 4 | DG128-Brass cage    | X000000020(H) | XX | Brass          | Ni plated           |
| 3 | 2EDG-Clamp          | 1005B00010(H) | XX | Phospor bronze | Sn plated           |
| 2 | 2EDGK-5.0-Cover     | 1016C0YXXA(H) | 1  | PA66           | UL94V-0             |

| REVISION RECORD |         |               |      |          |  |
|-----------------|---------|---------------|------|----------|--|
| REV             | ECO     | DESCRIPTION   | DRFT | DATE     |  |
| △               |         | Drawing emend | VF   | 01/05/06 |  |
| △               |         | 修改UL刻字        | CSX  | 06/18/07 |  |
| △               |         | 增加VDE、CE认证标志  | LJH  | 01/14/08 |  |
| △               | 12-0216 | 夹子电镀由镀锌改为镀镍   | XLM  | 01/07/13 |  |



SECTION A-A

Notes:

- Pitch: 5.0mm Poles:2-24p
- Rated voltage/current:UL 300V/15A  
VDE 320V/20A
- Insulation resistance: 5000MΩ/1000V
- Withstanding voltage: AC2500V/1min
- Wire range: 28-12AWG 2.5mm<sup>2</sup>
- Temp. Range: -40° C~+105° C
- Torque: 4.08kgf.cm
- Undimensioned Tolerances:

| Pitch range in mm |       | Nominal dimension range in mm |       |        |        |      |  |
|-------------------|-------|-------------------------------|-------|--------|--------|------|--|
| to                | over  | to                            | over  | to     | over   | to   |  |
| 6                 | 10    | 30                            | 60    | 100    | 150    | ∩    |  |
| to 6              | to 10 | to 30                         | to 60 | to 100 | to 150 | ∇    |  |
| ±0.10             | ±0.15 | ±0.25                         | ±0.2  | ±0.3   | ±0.5   | ±1.0 |  |



| 1                          | 2EDGK-5.0-Housing | 1016A0YXXA(H)             | 1             | PA66     | UL94V-0 |
|----------------------------|-------------------|---------------------------|---------------|----------|---------|
| ITEM                       | NAME OF PART      | NO. OF PART               | Q'TY          | MATERIAL | NOTES   |
| TOLERANCES EXCEPT AS NOTED |                   | DFTO Hooyh DATE 04/18/05  |               |          |         |
| MM (INCH)                  |                   | CHKD DATE                 | DATE 01/10/13 |          |         |
| MFO                        |                   | APPV                      | DATE 01/14/13 |          |         |
| MM                         |                   | MATERIAL:                 |               |          |         |
| .0 ±                       | ±                 | NAME                      |               |          |         |
| .00 ±                      | ±                 | 2EDGK-5.0-XXP-1Y-00A(H)   |               |          |         |
| .000 ±                     | ±                 | DRAWING NO. 2EDGK-5.0-E10 |               |          |         |
| ANGLES ± 1'                |                   | FINISH:                   |               |          |         |
| THIRD ANGLE PROJECTION     |                   | SCALE: 1:1                |               |          |         |
| DO NOT SCALE DRAWING       |                   |                           |               | SHEET 1  | OF 1    |