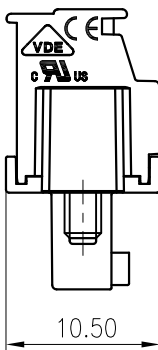
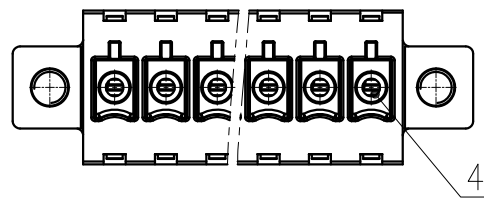
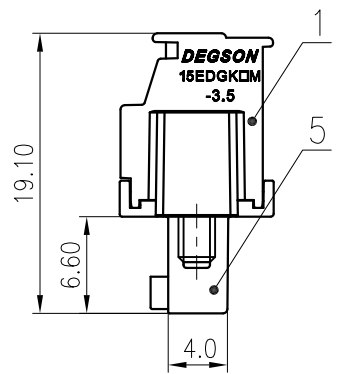
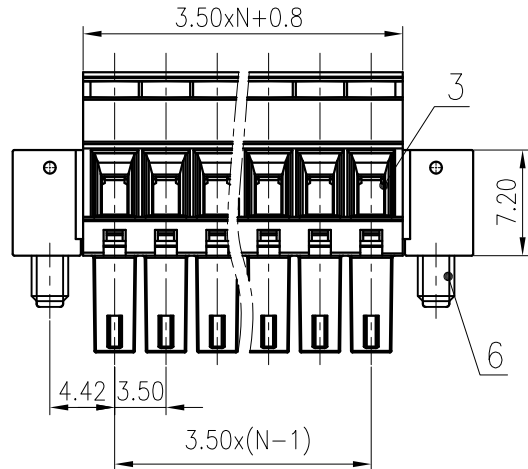
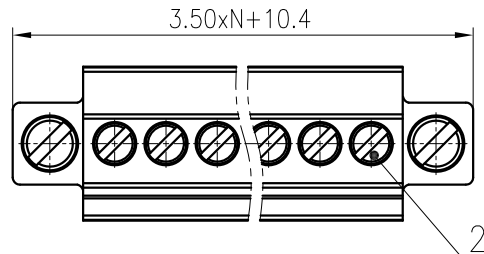




未注公差/General tolerances(mm)											0.1/10 ±2'		
0 ~ 3	>3 ~ 6	>6 ~ 10	>10 ~ 18	>18 ~ 30	>30 ~ 50	>50 ~ 80	>80 ~ 120	>120 ~ 180	>180 ~ 250	>250 ~ 315		>315 ~ 400	>400 ~ 500
±0.12	±0.18	±0.22	±0.26	±0.31	±0.37	±0.57	±0.80	±0.93	±1.05	±1.15	±1.60	±2.20	±2.50

文 管 中 心
 研 发 专 用
 2020.05.29
 (仅限内部使用, 对外无效)



6	Screw 2	Steel	M2.5/Zn Plated
5	Cover	PA66	UL94V-0
4	Clamp	Copper Alloy	Sn Plated
3	Cage	Copper Alloy	M2/Ni Plated
2	Screw 1	Steel	M2/Zn Plated
1	Housing	PA66	UL94V-0

ITEM	NAME OF PART	MATERIAL	NOTES
JL 标准/UL Standard:		B	C
额定电压/电流/Rated Voltage(V)/Current(A)		300/8	7
IEC 标准/IEC Standard:			
过压类别/Overvoltage Category/污染等级/Pollution Degree		II/2	
额定电压/电流/Rated Voltage(V)/Current(A)		250/7	
额定脉冲电压(KV)/Rate Impulse Voltage(KV)		2.5	
螺丝扭矩/Torque Tightening(N·m/Lb.in)		M2, 0.2/1.77	
线径范围(硬线和软线)/Wire Range(rigid and flexible)(mm ² /AWG)		0.5~1.5/28~16	
间距/Pitch(mm)/线数范围/Poles		3.5/N=02~22P	
剥线长度/Stripping length(mm)		6~7	
使用温度范围/Operating temperature(°C)		-40~+105	
符合RoHS环保要求/Conform to RoHS		Yes	

MATERIAL:		SURFACE:	
MAT NO.:	/	宁波高松电子有限公司 NINGBO DEGSON ELECTRICAL CO., LTD	
STATUS:	/		
APPD:	Lan ChH 2020.05.29	NAME:	
CHKD:	Yu JZh 2020.05.29	15EDGKAM-3.5-XXP-1Y-100A(H)	
DRFT:	CenK 2020.05.29	DRAWING NO.:	10002028
REV	ECN	DESCRIPTION	DRFT
DATE	DATE	DATE	DATE
SIZE: A4		TYPE: CUSTOMER DRAWING	
SCALE: 2:1		SHEET 1/1	

REV	ECN	DESCRIPTION	DRFT	DATE