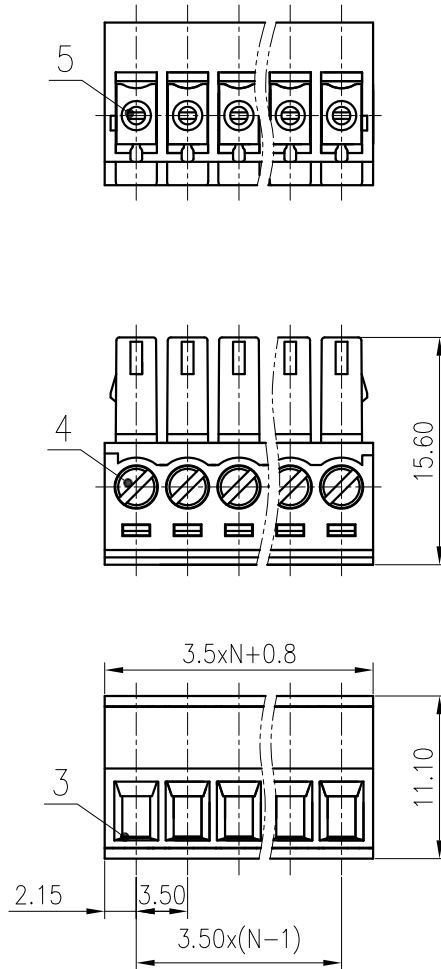
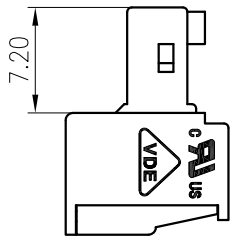




未注公差/General tolerances(mm)											0.1/10		
0	>3	>6	>10	>18	>30	>50	>80	>120	>180	>250		>315	>400
~3	~6	~10	~18	~30	~50	~80	~120	~180	~250	~315	~400	~500	~2.50
±0.12	±0.18	±0.22	±0.26	±0.31	±0.37	±0.57	±0.80	±0.93	±1.05	±1.15	±1.60	±2.20	±2.50

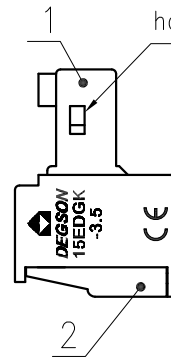
Transfer or duplication of this document as well as the utilization or communication of its contents are prohibited unless explicit authorization is granted. Violations will be liable for compensation. All rights reserved for patent, utility, model or designs registrations. 除非给予明确授权，否则禁止转让、复制、利用、交还本文件的内容。未经许可擅自复制或发明，使用者将承担所有侵权的法律责任。



15EDGK - 3.5 - XXP - 1Y - 00A (H)  
 (Series No.) (Pitch) (Poles) (Single Pitch) (Color): 1.(Grey)  
 2.(Blue)  
 3.(Black)  
 4.(Green)  
 5.(Orange)  
 6.(Red)  
 7.(Transparent)  
 8.(Yellow)  
 9.(White)

(RoHS)  
 00A-(Standard)

Only 02-06 Poles have this stick point



ITEM	NAME OF PART	MATERIAL	NOTES
5	Clamp	Copper Alloy	Sn Plated
4	Screw	Steel	M2/Zn Plated
3	Cage	Copper Alloy	M2/Ni Plated
2	Cover	PA66	UL94V-0
1	Housing	PA66	UL94V-0
JL 标准/UL Standard:		B	C
D		300/8	
额定电压/电流/Rated Voltage(V)/Current(A)		300/8	7
300/8		7	
EC 标准/IEC Standard:		II/2	
过压类别/Overvoltage Category/污染等级/Pollution Degree		II/2	
额定电压/电流/Rated Voltage(V)/Current(A)		250/7	
额定脉冲电压(KV)/Rate Impulse Voltage(KV)		2.5	
螺丝扭矩/Torque Tightening(N·m/Lb.in)		M2, 0.2/1.77	
线径范围(硬线和软线)/Wire Range(rigid and flexible)(mm <sup>2</sup> /AWG)		0.5~1.5/28~16	
间距/Pitch(mm)/线数范围/Poles		3.50/N=02~24P	
剥线长度/Stripping length(mm)		6~7	
使用温度范围/Operating temperature(°C)		-40~+105	
符合RoHS环保要求/Conform to RoHS		Yes	

MATERIAL:	/	SURFACE:	/
MAT NO.:		宁波高松电子有限公司 NINGBO DEGSON ELECTRICAL CO., LTD	
STATUS:	/	NAME: 15EDGK-3.5-XXP-1Y-00A(H)	
APPD: LanChH 2020.05.30		DRAWING NO.: 10002218	
CHKD: YuJZh 2020.05.30		REV	TO
DRFT: BaYH 2020.05.30		SCALE: 2:1	SHEET 1/1

REV	ECN	DESCRIPTION	DRFT	DATE
1	2	3	4	5

SIZE: A4

TYPE: CUSTOMER DRAWING