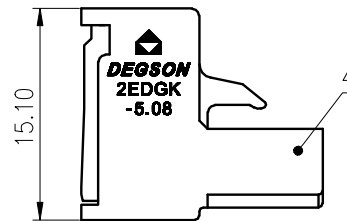
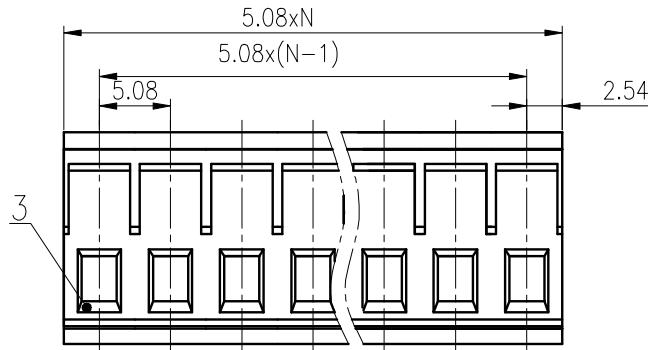
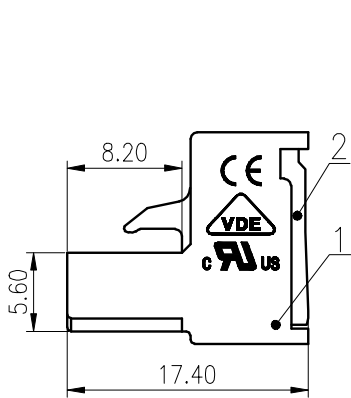
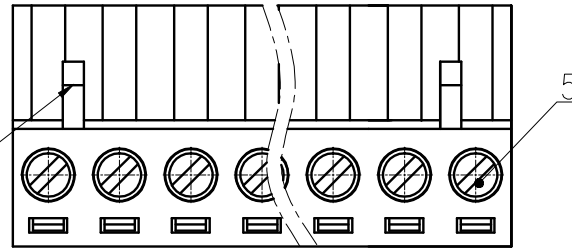




公差/General tolerances(mm)											0.1/10 ±2'		
0	>3	>6	>10	>18	>30	>50	>80	>120	>180	>250			
~3	~6	~10	~18	~30	~50	~80	~120	~180	~250	~315	~400	~500	~500
±0.12	±0.18	±0.22	±0.26	±0.31	±0.37	±0.57	±0.80	±0.93	±1.05	±1.15	±1.60	±2.20	±2.50

02P: Clasp on the left from this view



5	Screw	Steel	M2.5/Zn Plated
4	Clamp	Copper alloy	Sn Plated
3	Cage	Copper alloy	M2.5/Ni Plated
2	Cover	PA66	UL94V-0
1	Housing	PA66	UL94V-0

ITEM	NAME OF PART	MATERIAL	NOTES
UL 标准/UL Standard:			
额定电压/电流/Rated Voltage(V)/Current(A)		B	C
		300/15	/ 300/10
IEC 标准/IEC Standard:			
过压类别/Overvoltage Category/污染等级/Pollution Degree			III/2
额定电压/电流/Rated Voltage(V)/Current(A)			320/20
额定脉冲电压(kV)/Rate Impulse Voltage(kV)			4.0
螺丝扭矩/Torque Tightening(N·m/Lb.in)			M2.5, 0.4/3.54
线径范围(硬线和软线)/Wire Range(rigid and flexible)(mm ² /AWG)			1.0~2.5/28~12
间距/Pitch(mm)/线数范围/Poles			5.08/N=02~24P
剥线长度/Stripping length(mm)			7-8
使用温度范围/Operating temperature(°C)			-40~+105
符合RoHS环保要求/Conform to RoHS			Yes
标准颜色编号/Standard color number:			/
PANTONE / RAL			/

文管中心
研发专用
2020.04.17
(仅限内部使用, 对外无效)

MATERIAL: /	SURFACE: /		
MAT NO.: /	宁波高松电子有限公司 NINGBO DEGSON ELECTRICAL CO., LTD		
STATUS: /			
APPD:	NAME: 2EDGK-5.08-XXP-1Y-00A(H)		
CHKD:	DRAWING NO.: 2EDGK-5.08-C08		
DRFT: Haoyh 2005.04.18	REV	T4	
SIZE: A4	TYPE: CUSTOMER DRAWING	SCALE: 2:1	SHEET 1/1

REV	ECN	DESCRIPTION	DRFT	DATE