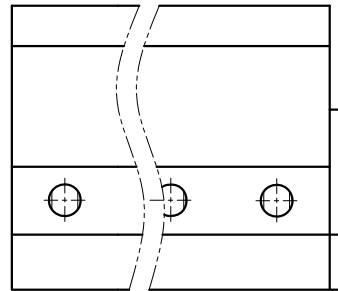
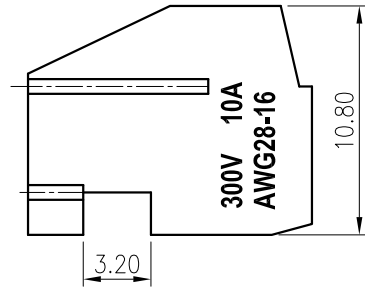
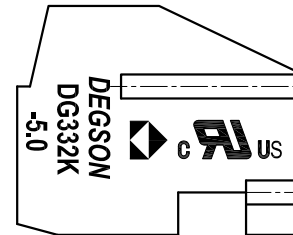
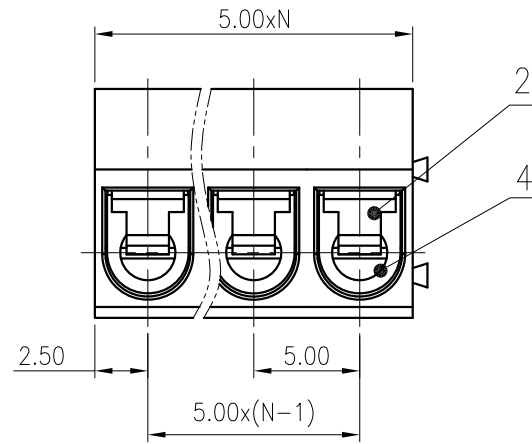
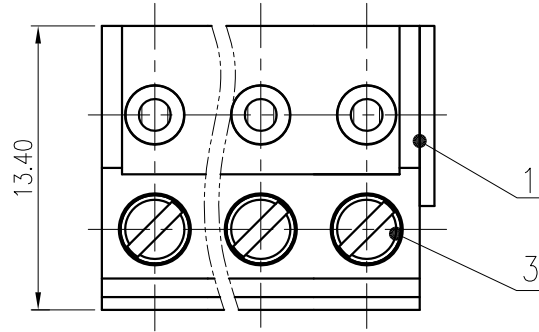




未注公差/General tolerances(mm)												0.1/10		
0 ~ 3	>3 ~ 6	>6 ~ 10	>10 ~ 18	>18 ~ 30	>30 ~ 50	>50 ~ 80	>80 ~ 120	>120 ~ 180	>180 ~ 250	>250 ~ 315	>315 ~ 400		>400 ~ 500	>500
±0.12	±0.18	±0.22	±0.26	±0.31	±0.37	±0.57	±0.80	±0.93	±1.05	±1.15	±1.60	±2.20	±2.50	±2'



4	Cage	Copper alloy	M2.5/Ni plated
3	Screw	Steel	M2.5/Zn plated
2	Clamp	Copper alloy	Ni plated
1	Housing	PBT	UL94V-0

ITEM	NAME OF PART	MATERIAL	NOTES
UL 标准/UL Standard:		B	C
额定电压/电流/Rated Voltage(V)/Current(A)		300/10	/
EC 标准/IEC Standard:			
过压类别/Overvoltage Category/污染等级/Pollution Degree		III/3	III/2
额定电压/电流/Rated Voltage(V)/Current(A)		/	250/12
工频耐压/Withstanding voltage(V/1Min)		AC2000	
螺丝扭矩/Torque Tightening(N·m/Lb.in)		M2.5, 0.4/3.54	
线径范围(硬线和软线)/Wire Range(rigid and flexible)(mm ² /AWG)		0.2~1.5/28~16	
间距/Pitch(mm)/线数范围/Poles		5.0/N=02~12P	
剥线长度/Stripping length(mm)		5~6	
使用温度范围/Operating temperature(°C)		-30~+120	
符合RoHS环保要求/Conform to RoHS		Yes	

MATERIAL:		SURFACE:	
MAT NO.:	/	宁波高松电子有限公司 NINGBO DEGSON ELECTRICAL CO., LTD	
STATUS:	/		
APPD: Lan ChH	2020.05.20	NAME: DG332K-5.0-XXP-1Y-00A(H)	
CHKD: Yu JZh	2020.05.20	DRAWING NO.: DG332K-5.0-C02	
DRFT: LIUM	2005.10.18	REV	T2
⊕	SIZE: A4	TYPE: CUSTOMER DRAWING	SCALE: 3:1 SHEET 1/1

REV	ECN	DESCRIPTION	DRFT	DATE