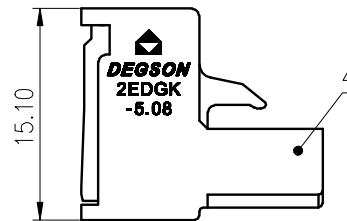
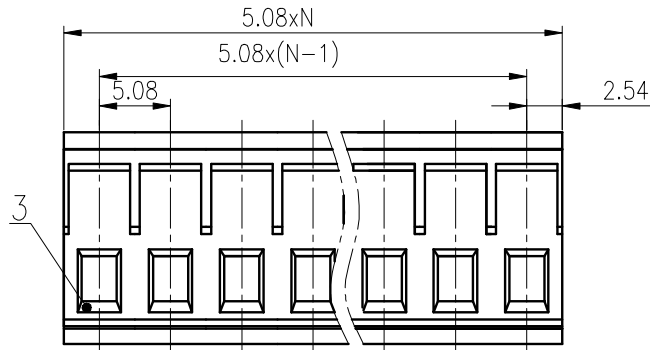
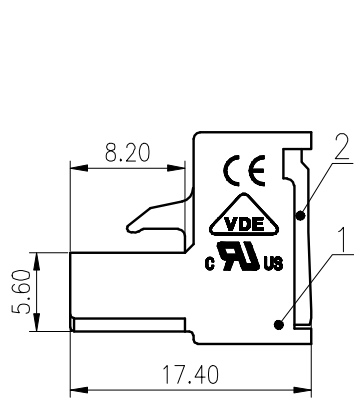
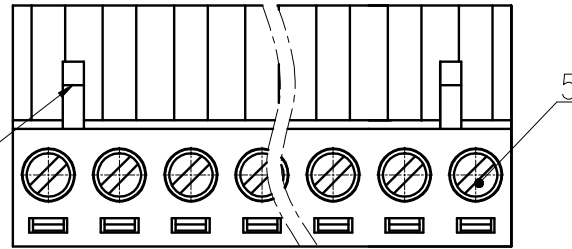




| 公差/General tolerances(mm) |       |       |       |       |       |       |       |       |       |       |       | 0.1/10 |       |
|---------------------------|-------|-------|-------|-------|-------|-------|-------|-------|-------|-------|-------|--------|-------|
| 0                         | >3    | >6    | >10   | >18   | >30   | >50   | >80   | >120  | >180  | >250  | >315  |        | >400  |
| ~3                        | ~6    | ~10   | ~18   | ~30   | ~50   | ~80   | ~120  | ~180  | ~250  | ~315  | ~400  | ~500   | ~2.50 |
| ±0.12                     | ±0.18 | ±0.22 | ±0.26 | ±0.31 | ±0.37 | ±0.57 | ±0.80 | ±0.93 | ±1.05 | ±1.15 | ±1.60 | ±2.20  | ±2.50 |

02P: Clasp on the left from this view



|   |         |              |                |
|---|---------|--------------|----------------|
| 5 | Screw   | Steel        | M2.5/Zn Plated |
| 4 | Clamp   | Copper alloy | Sn Plated      |
| 3 | Cage    | Copper alloy | M2.5/Ni Plated |
| 2 | Cover   | PA66         | UL94V-0        |
| 1 | Housing | PA66         | UL94V-0        |

| ITEM   | NAME OF PART | MATERIAL       | NOTES    |
|--|--------------|----------------|----------|
| UL 标准/UL Standard:   |              |                |          |
| 额定电压/电流/Rated Voltage(V)/Current(A)                              |              | B              | C        |
|  |              | 300/15         | / 300/10 |
| IEC 标准/IEC Standard:   |              |                |          |
| 过压类别/Overvoltage Category/污染等级/Pollution Degree                  |              | III/2          |          |
| 额定电压/电流/Rated Voltage(V)/Current(A)                              |              | 320/20         |          |
| 额定脉冲电压(kV)/Rate Impulse Voltage(kV)                              |              | 4.0            |          |
| 螺丝扭矩/Torque Tightening(N·m/Lb.in)                                |              | M2.5, 0.4/3.54 |          |
| 线径范围(硬线和软线)/Wire Range(rigid and flexible)(mm <sup>2</sup> /AWG) |              | 1.0~2.5/28~12  |          |
| 间距/Pitch(mm)/线数范围/Poles  |              | 5.08/N=02~24P  |          |
| 剥线长度/Stripping length(mm)  |              | 7~8            |          |
| 使用温度范围/Operating temperature(°C)                                 |              | -40~+105       |          |
| 符合RoHS环保要求/Conform to RoHS                                       |              | Yes            |          |
| 标准颜色编号/Standard color number:                                    |              | PANTONE / RAL  |          |

文管中心  
研发专用  
2020.04.17  
(仅限内部使用, 对外无效)

|                        |   |            |           |
|------------------------|---|------------|-----------|
| MATERIAL: /            | SURFACE: /  |            |           |
| MAT NO.: /             | <b>宁波高松电子有限公司</b><br><b>NINGBO DEGSON ELECTRICAL CO., LTD</b> |            |           |
| STATUS: /              |   |            |           |
| APPD:                  | NAME: 2EDGK-5.08-XXP-1Y-00A(H)                                |            |           |
| CHKD:                  | DRAWING NO.: 2EDGK-5.08-C08                                   |            |           |
| DRFT: Haoyh 2005.04.18 | REV   | T4         |           |
| ④ SIZE: A4             | TYPE: CUSTOMER DRAWING  | SCALE: 2:1 | SHEET 1/1 |

| REV | ECN | DESCRIPTION | DRFT | DATE |
|-----|-----|-------------|------|------|
|     |     |             |      |      |
|     |     |             |      |      |