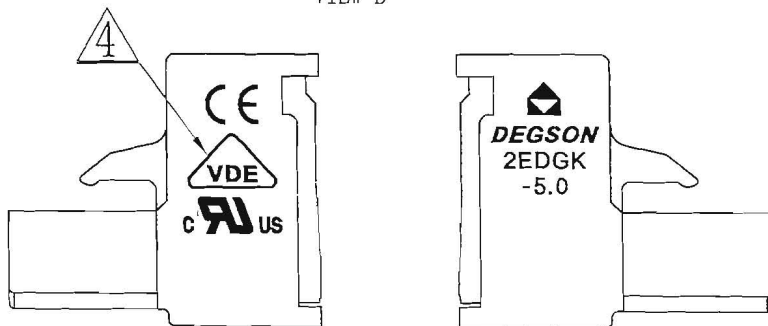
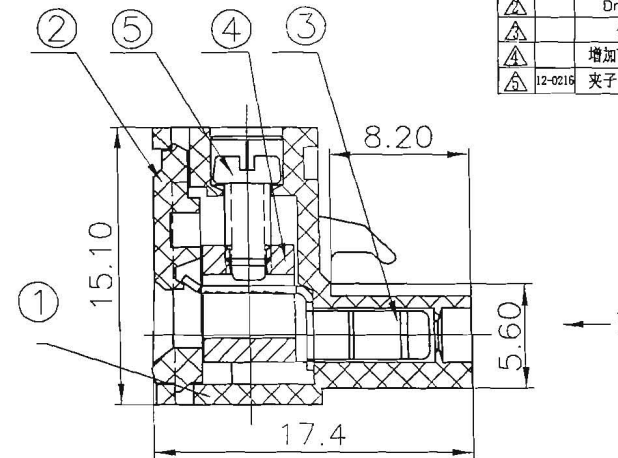


VIEW-B



REVISION RECORD				
REV	ECO	DESCRIPTION	DRFT	DATE
△		Drawing emend	VF	01/05/06
△		修改UL刻字	CSX	06/18/07
△		增加VDE、CE认证标志	LJH	01/14/08
△	12-0216	夹子电镀由镀锌改为镀镍	XLM	01/07/13



SECTION A-A

Notes:

- Pitch: 5.0mm Poles:2-24p
- Rated voltage/current:UL 300V/15A  
VDE 320V/20A
- Insulation resistance: 5000MΩ/1000V
- Withstanding voltage: AC2500V/1min
- Wire range: 28-12AWG 2.5mm<sup>2</sup>
- Temp. Range: -40° C~+105° C
- Torque: 4.08kgf.cm
- Undimensioned Tolerances:

Pitch range in mm		Nominal dimension range in mm					
to	over	to	over	to	over	to	
6	10	30	60	100	150	∩	
to 6	to 10	to 30	to 60	to 100	to 150	□	
±0.10	±0.15	±0.25	±0.2	±0.3	±0.5	±1.0 0.05/1.0	



1	2EDGK-5.0-Housing	1016A0YXXA (H)	1	PA66	UL94V-0
ITEM	NAME OF PART	NO. OF PART	Q'TY	MATERIAL	NOTES
TOLERANCES EXCEPT AS NOTED		DFTO Hooyh DATE 04/18/05			
MM (INCH)		CHKD DATE	DATE 01/10/13		
MFO		APPVL DATE	DATE 01/14/13		
MM		MATERIAL :			
.0 ±	±	NAME			
.00 ±	±	2EDGK-5.0-XXP-1Y-00A(H)			
.000 ±	±	DRAWING NO. 2EDGK-5.0-E10			
ANGLES ± 1°		FINISH :		/PART NO.	
THIRD ANGLE PROJECTION		SCALE : 1:1		DO NOT SCALE DRAWING	
			SHEET 1		OF 1

5	2EDG "—"Screws-M2.5	S000001370 (H)	XX	Steel	Cr <sup>3+</sup> Zn
4	DG128-Brass cage	X000000020 (H)	XX	Brass	Ni plated
3	2EDG-Clamp	1005B00010 (H)	XX	Phospor bronze	Sn plated
2	2EDGK-5.0-Cover	1016C0YXXA (H)	1	PA66	UL94V-0

8

7

6

5

4

3

2

1