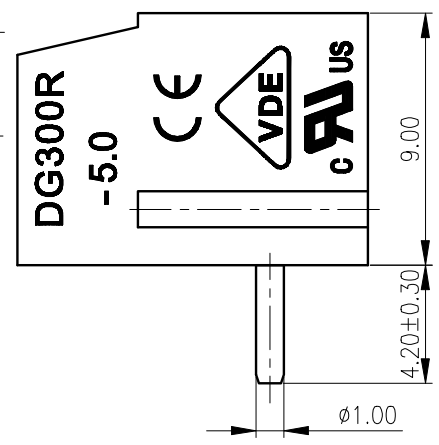
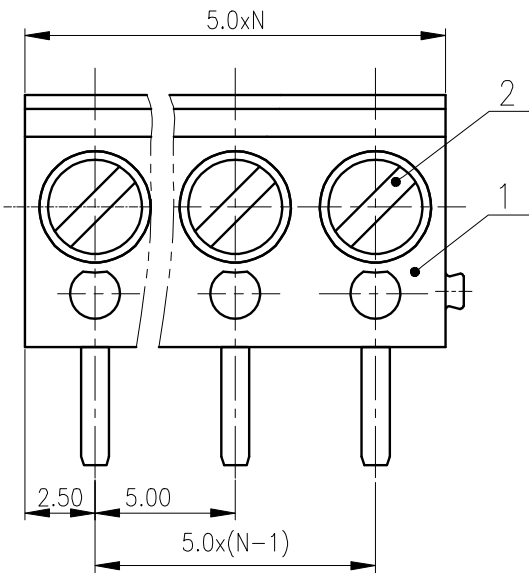
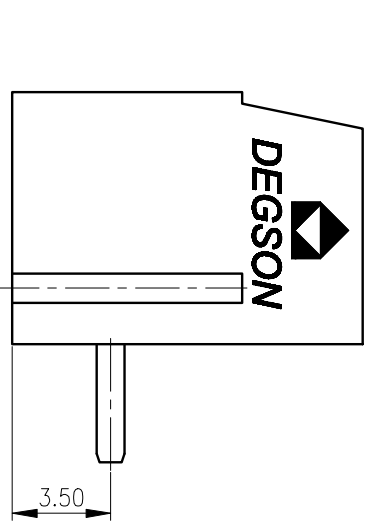
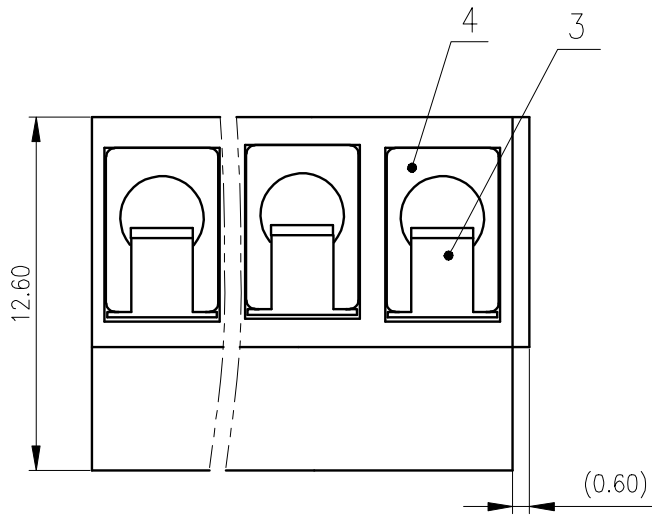
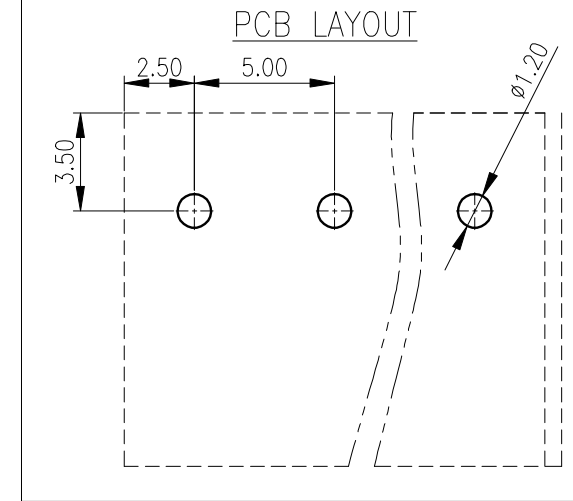




未注公差/General tolerances(mm)											D 0.1/10		
0 ~ 3	>3 ~ 6	>6 ~ 10	>10 ~ 18	>18 ~ 30	>30 ~ 50	>50 ~ 80	>80 ~ 120	>120 ~ 180	>180 ~ 250	>250 ~ 315		>315 ~ 400	>400 ~ 500
±0.12	±0.18	±0.22	±0.26	±0.31	±0.37	±0.57	±0.80	±0.93	±1.05	±1.15	±1.60	±2.20	±2.50
													Z ±2'



4	Pin	Copper alloy	M3/Sn Plated
3	Spring	Stainless steel	
2	Screw	Steel	M3/Zn Plated
1	Housing	PBT	UL94V-0

ITEM	NAME OF PART	MATERIAL	NOTES
UL 标准/UL Standard:		B	C
额定电压/电流/Rated Voltage(V)/Current(A)		300/10	300/10
IEC 标准/IEC Standard:			
过压类别/Overvoltage Category/污染等级/Pollution Degree		III/3	III/2
额定电压/电流/Rated Voltage(V)/Current(A)		/	250/24
工频耐压/Withstanding voltage(V/1Min)		AC2000	
螺丝扭矩/Torque Tightening(N·m/Lb.in)		M3, 0.5/4.43	
线径范围(硬线和软线)/Wire Range(rigid and flexible)(mm <sup>2</sup> /AWG)		1.0~2.5/22~14	
间距/Pitch(mm)/线数范围/Poles		5.0/N=02~24P	
剥线长度/Stripping length(mm)		5~6	
使用温度范围/Operating temperature(°C)		-30~+120	
符合RoHS环保要求/Conform to RoHS		Yes	

MATERIAL:		SURFACE:	
MAT NO.: /		<b>宁波高松电子有限公司</b> <b>NINGBO DEGSON ELECTRICAL CO., LTD</b>	
STATUS: /			
APPD: Lan ChH 2020.05.25		NAME: <b>DG300R-5.0-XXP-1Y-00A(H)</b>	
CHKD: Yu JZh 2020.05.25		DRAWING NO.: 10002157	
DRFT: Li Zh 2020.05.25		REV TO	
SIZE: A4		TYPE: CUSTOMER DRAWING	
SCALE: 4:1		SHEET 1/1	

REV	ECN	DESCRIPTION	DRFT	DATE