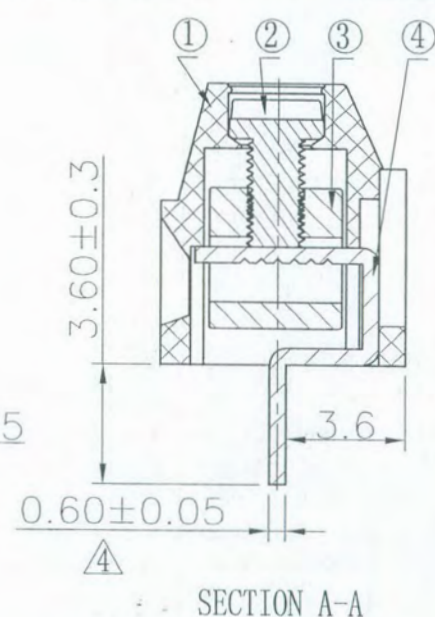
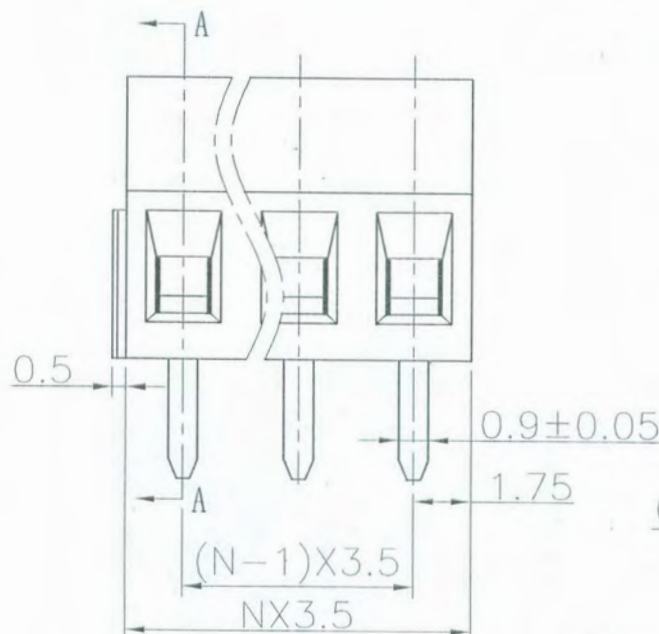
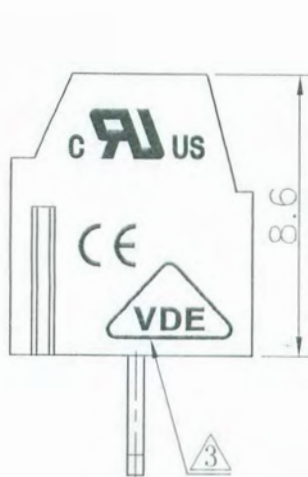
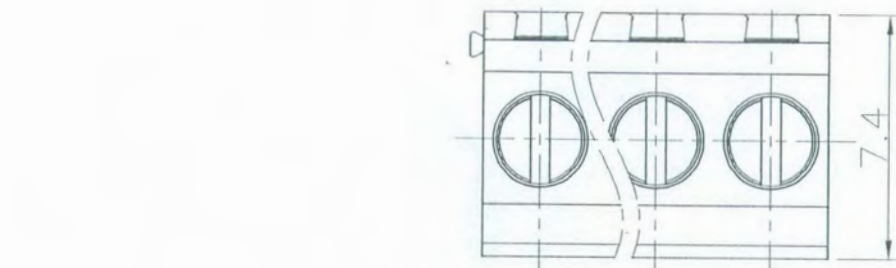




REVISION RECORD				
REV	ECO	DESCRIPTION	DRFT	DATE
△		Drawing Revise	Haoyh	04/27/06
△		增加VDE、CE标志	LJH	11/12/07
△		修改焊脚厚度尺寸	LJH	05/17/08

- Notes:
- Pitch: 3.5mm, Poles: 2-24P
 - Rated voltage/current: UL 150V/10A
VDE 130V/10A
 - Operation temperatures: -40°C ~ +105°C
 - Withstanding Voltage: AC2000V/1Min
 - Insulation Resistance: 5000MΩ/DC1000V
 - Wire Range: 26~16AWG, 1.0mm²
 - Max. Torque Value: M2, 2.04kgf.cm
 - Undimensioned Tolerances:

Pitch range in mm		Nominal dimension range in mm							
to	over	to	over	to	over	to			
6	6	10	10	30	30	60	100	150	∩
6	10	10	24	30	60	100	150		□
±0.10	±0.15	±0.25	±0.2	±0.3	±0.5	±0.7	±1.0	0.05/10	



4	DG381 Pin header	4047B00010(H)	XX	Phosphor bronze	SnCe
3	DG381 Cage	X000000300(H)	XX	Brass	Ni plated
2	DG381 Screws	S000001440(H)	XX	Steel	Cr ³⁺ Zn

ITEM	NAME OF PART	NO. OF PART	Q'TY	MATERIAL	NOTES
1	DG381-3.5-Housing	4032A0YXXA(H)	1	PA66	UL94V-0

MM (INCH)	DFTD Haoyh	DATE 05/16/05	宁波高正电子有限公司 DEGSON ELECTRONICS CO., LTD
TOLERANCES EXCEPT AS NOTED	CHKD <i>Hang</i>	DATE 05/17/08	
	MFO	DATE	
MM	APPLD <i>lyk</i>	DATE 05/17/08	NAME
0 ±			DG381-3.5-XXP-1Y-00A(H)
0.0 ±			DRAWING NO. DG381-3.5-E02
0.00 ±			/PART NO.
ANGLES ± 1'	G.E.:		SIZE A3
THIRD ANGLE PROJECTION	FINISH:		REV T4
	SCALE:		06/17/08
			DO NOT SCALE DRAWING
			SHEET 1 OF 1