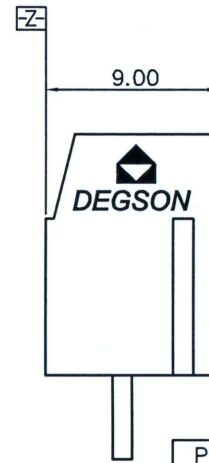
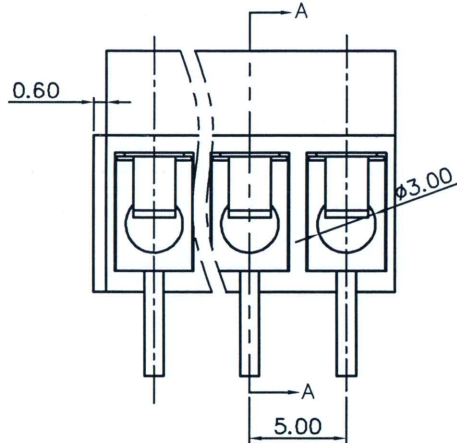
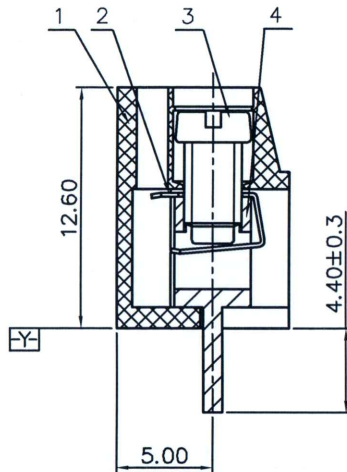
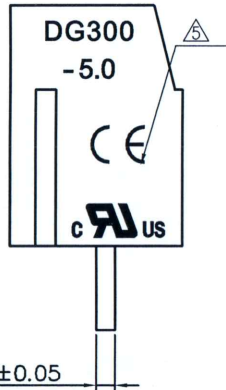
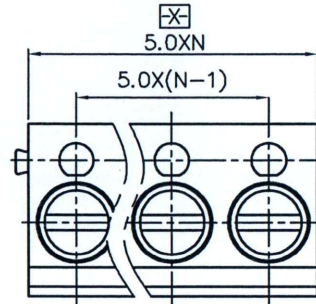




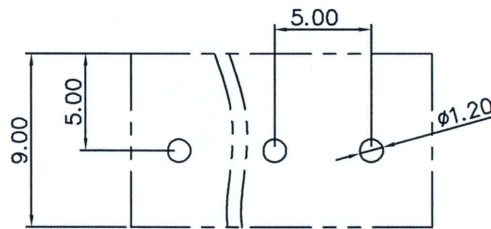
REVISION RECORD				
REV	ECN	DESCRIPTION	DRFT	DATE
△		Drawing Revise	Haoyh	03/14/06'
△		增加VDE、CE标志	LJH	12/24/07"
△	12-0269	Drawing Revise	YHG	12/27/12"
△	14-0291	更新图框、增加“CE”刻字	yangon	08/28/14"



- NOTES:
- 1.DIMENSION SHALL BE INTERPRETED PER ASME Y14.5-2009.
 - 2.PITCH: 5.0MM,POLES: N=02-24P
 - 3.RATED VOLTAGE/CURRENT: UL 300V/10A IEC 250V/24A
 - 4.OPERATION TEMPERATURES: -30℃~+120℃
 - 5.WITHSTANDING VOLTAGE: AC2000V/1MIN
 - 6.INSULATION RESISTANCE: 5000MΩ/DC1000V
 - 7.WIRE RANGE: 22~14AWG,2.5MM²
 - 8.MAX.TORQUE VALUE: M3.0,3.0kgf.cm
 - 9.UNDIMENSIONED TOLERANCES:

PITCH RANGE IN MM	NOMINAL DIMENSION RANGE IN MM							—
	TO 6	OVER 6 TO 10	OVER 10 TO 24	TO 30	OVER 30 TO 60	OVER 60 TO 100	OVER 100 TO 150	
±0.10	±0.15	±0.25	±0.20	±0.30	±0.50	±0.70	±1.00	0.05/10

文管中心
研发专用
2016.27
(仅限内部使用, 对外无效)



1	DG300-5.0-Housing	4007AYYXXA(H)	1	PBT	UL94V-0
ITEM	NAME OF PART	NO. OF PART	Q"TY	MATERIAL	NOTES

TOLERANCES EXCEPT AS NOTED .X ± .X' ± .XX ± .XX' ± .XXX ± .XXX' ±		MATERIAL: FINISH: PART NO.:		宁波高正电子有限公司 DEGSON ® DEGSON ELECTRONICS CO., LTD	
ANGLES ± 1° THIRD ANGLE PROJECTION		APPD: CHKD: <i>Zhoumm</i>		NAME: DG300-5.0-XXP-1Y-00A(H)	
DRFT: <i>thuangwei</i> 03/14/06'				TITLE: ASSEMBLY DRAWING DRAWING NO.: DG300-5.0-E02 DO NOT SCALE DRAWING SCALE N/A SHEET 1/1	

4	DG300(A) Pin header	4001B00010(H)	XX	Brass	Tin plated
3	DG300 Screws	S000001380(H)	XX	Steel	Cr ³⁺ Zn
2	DG300 Spring	X000000230(H)	XX	Stainless steel	