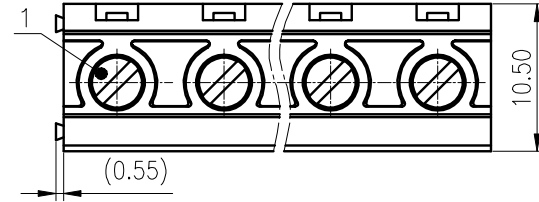


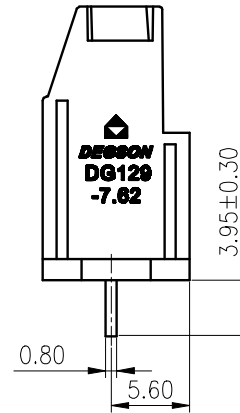
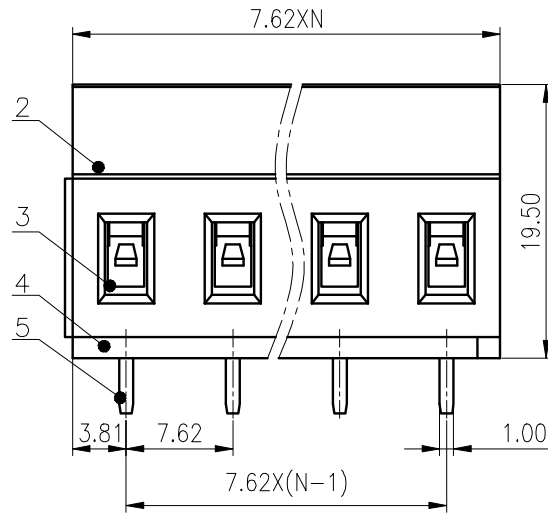
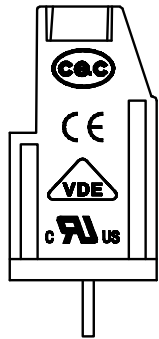


未注公差/General tolerances(mm)											0.1/10 ±2'		
0	>3	>6	>10	>18	>30	>50	>80	>120	>180	>250		>315	>400
~3	~6	~10	~18	~30	~50	~80	~120	~180	~250	~315	~400	~500	~2.50
±0.12	±0.18	±0.22	±0.26	±0.31	±0.37	±0.57	±0.80	±0.93	±1.05	±1.15	±1.60	±2.20	±2.50

A



B



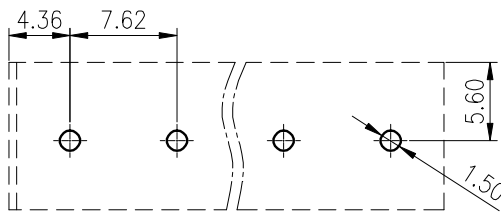
C

ITEM	NAME OF PART	MATERIAL	NOTES
5	Pin header	Copper alloy	Sn Plated
4	Cover	PA66	UL94V-0
3	Cage	Copper alloy	M3/Ni Plated
2	Housing	PA66	UL94V-0
1	Screw	Steel	M3/Zn Plated

ITEM	NAME OF PART	MATERIAL	NOTES
UL 标准/UL Standard:			B C D
额定电压/电流/Rated Voltage(V)/Current(A)			300/20 / 300/10
IEC 标准/IEC Standard:			
过压类别/Overtoltage Category/污染等级/Pollution Degree			III/2
额定电压/电流/Rated Voltage(V)/Current(A)			450/20
工频耐压/Withstanding Voltage			AC2500V/1Min
螺丝扭矩/Torque Tightening(N·m/Lb.in)			M3, 0.5/4.43
线径范围(硬线和软线)/Wire Range(rigid and flexible)(mm ² /AWG)			0.5~2.5/26~12
间距/Pitch(mm)/线数范围/Poles			7.62/N=02~16P
剥线长度/Stripping length(mm)			8
使用温度范围/Operating temperature(°C)			-40~+105
符合RoHS环保要求/Conform to RoHS			Yes

D

PCB LAYOUT



MATERIAL: /	SURFACE: /		
MAT NO.: /	宁波高松电子有限公司 NINGBO DEGSON ELECTRICAL CO., LTD		
STATUS: /			
APPD: LanChH 2020.03.19	NAME: DG129-7.62-XXP-1Y-100A(H)		
CHKD: YuJZ 2020.03.19	DRAWING NO.: DG129-7.62-C22		
DRFT: Jay.z 2016.01.07	REV	T1	
④	SIZE: A4	TYPE: CUSTOMER DRAWING	SCALE: 2:1 SHEET 1/1

REV	ECN	DESCRIPTION	DRFT	DATE