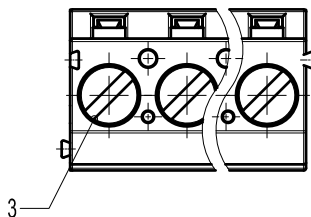
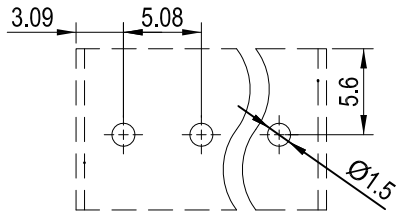


PCB LAYOUT



公差/General tolerances(mm)														
0	>3	>6	>10	>18	>30	>50	>80	>120	>180	>250	>315	>400	>500	0.1/10
~3	~6	~10	~18	~30	~50	~80	~120	~180	~250	~315	~400	~500	±2'	
±0.12 ±0.18 ±0.22 ±0.26 ±0.31 ±0.37 ±0.57 ±0.80 ±0.93 ±1.05 ±1.15 ±1.60 ±2.20 ±2.50														
UL 标准/UL Standard:											B	C	D	
额定电压/电流/Rated Voltage(V)/Current(A)											300/20		/	300/10
IEC 标准/IEC Standard:														
过压类别/Overvoltage Category/污染等级/Pollution Degree											III/3	III/2	II/2	
额定电压/电流/Rated Voltage(V)/Current(A)											/	250/20	/	
工频耐压/Withstanding voltage(V/1Min)											/	AC2000	/	
螺丝扭矩/Torque Tightening(N·m/Lb.in)											M3, 0.5/4.5			
线径范围(硬线和软线)/Wire Range(rigid and flexible)(AWG/mm <sup>2</sup> )											26-12 / 0.2-2.5			
间距/Pitch(mm)/线数范围/Poles											5.08/N=02-24P			
剥线长度/Stripping length(mm)											8			
使用温度范围/Operating temperature(°C)											-40--+105			
符合RoHS环保要求/Conform to RoHS											Yes			

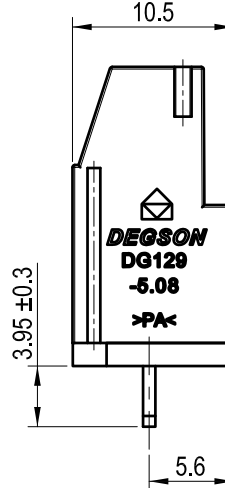
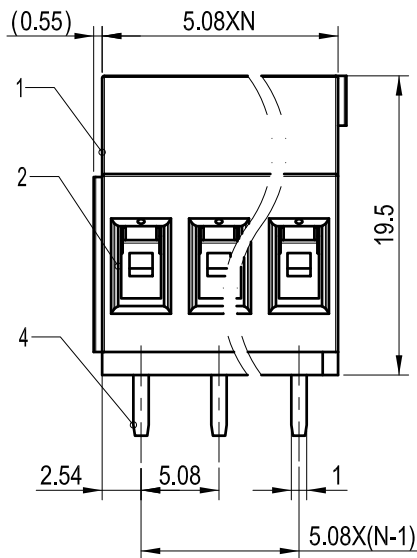
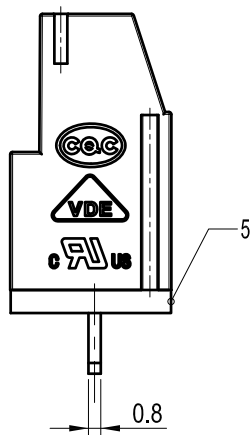
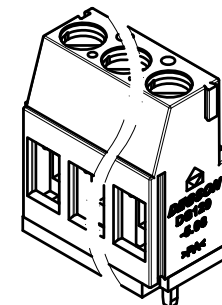
A

B

C

D

Please refer to the 3D model for those unmarked dimensions



ITEM	NAME OF PART	MATERIAL	NOTES
5	Cover	PA66	UL94V-0
4	Pin Header	Copper Alloy	Sn Plated
3	Screw	Steel	M3/Zn Plated
2	Cage	Copper Alloy	M3/Ni Plated
1	Housing	PA66	UL94V-0



REV	ECN	DESCRIPTION	DRFT	DATE
00	/	1X首版发行	岑凯	2022.05.07

		MATERIAL:		SURFACE/COLOR:	
APPD: 兰春华		2022.05.07		MAT NO./REV:	
CHKD: 陈招		2022.05.07		MAT STATUS: WORK	
DRFT: 岑凯		2022.05.07		NAME	
DRAWING NO. 200039252		TYPE CUSTOMER DRAWING		DRAWING STATUS WORK	
SCALE 2:1		SHEET 1/1		DRAWING NO. 200039252	

Transfer or duplication of this document as well as the utilization or communication of its contents are prohibited unless explicit authorization is granted. Modifications will be liable for compensation. All rights reserved for patent, utility model or designs registrations. 未经授权，不得复制或传播本文件内容。未经明确授权，不得复制或传播本文件内容。本公司保留对涉及专利、实用新型及外观设计的所有权利。