



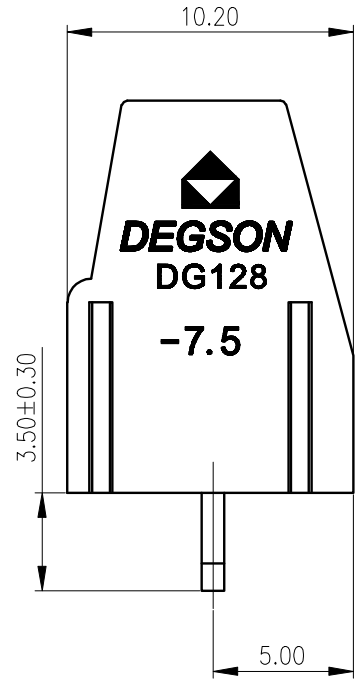
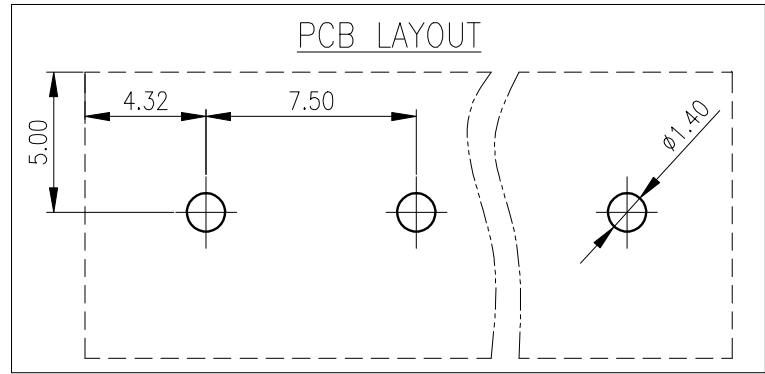
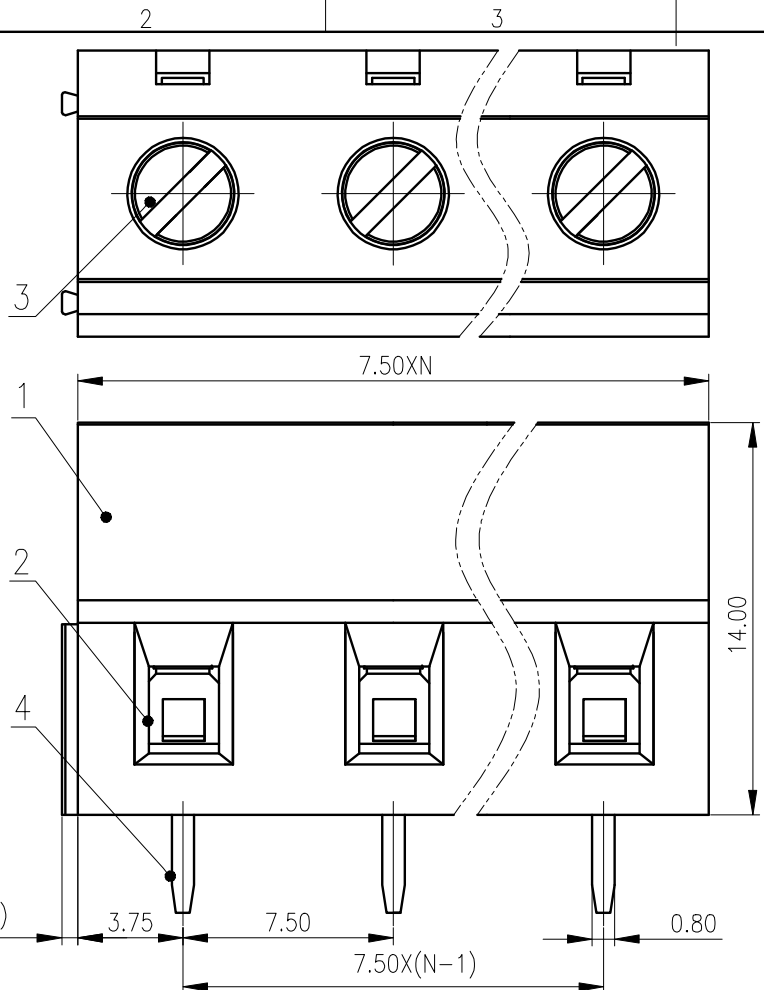
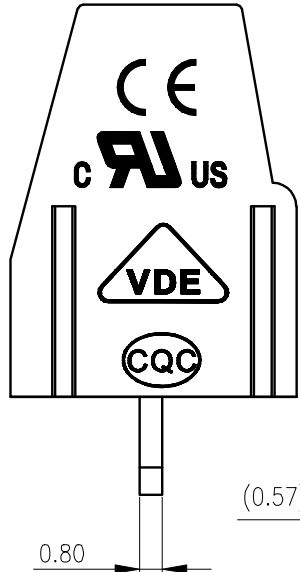
公差/General tolerances(mm)											0.1/10		
0	>3	>6	>10	>18	>30	>50	>80	>120	>180	>250		>315	>400
~3	~6	~10	~18	~30	~50	~80	~120	~180	~250	~315	~400	~500	~2.50
±0.12	±0.18	±0.22	±0.26	±0.31	±0.37	±0.57	±0.80	±0.93	±1.05	±1.15	±1.60	±2.20	±2.50

A

B

C

D



4	Pin Header	Copper Alloy	Sn Plated
3	Screw	Steel	M2.5/Zn Plated
2	Cage	Copper Alloy	M2.5/Ni Plated
1	Housing	PA66	UL94V-0
ITEM	NAME OF PART	MATERIAL	NOTES
UL 标准/UL Standard:		B	C
额定电压/电流/Rated Voltage(V)/Current(A)		300/20	/ 300/10
IEC 标准/IEC Standard:			
过压类别/Overvoltage Category/污染等级/Pollution Degree		III/3	III/2 II/2
额定电压/电流/Rated Voltage(V)/Current(A)		/	400/18 /
工频耐压/Withstanding Voltage(V/Min)		/	AC2500 /
螺丝扭矩/Torque Tightening(N·m/Lb.in)		M2.5, 0.4/3.54	
线径范围(硬线和软线)/Wire Range(rigid and flexible)(mm ² /AWG)		1.0~2.5/30~12	
间距/Pitch(mm)/线数范围/Poles		7.5/N=N02~16P	
剥线长度/Stripping length(mm)		6~7	
使用温度范围/Operating temperature(°C)		-40~+105	
符合RoHS环保要求/Conform to RoHS		Yes	

MATERIAL: /	SURFACE: /		
MAT NO.: /	宁波高松电子有限公司 NINGBO DEGSON ELECTRICAL CO., LTD		
STATUS: /			
APPD: LiGL 2020.06.11	NAME: DG128-7.5-XXP-1Y-00A(H)		
CHKD: Mek 2020.06.11	DRAWING NO.: DG128-7.5-C02		REV T1
DRFT: LuoXM 2020.06.11	TYPE: CUSTOMER DRAWING		SCALE: 4:1 SHEET 1/1

REV	ECN	DESCRIPTION	DRFT	DATE