

# AKZ700/..-5.08-H-GREEN



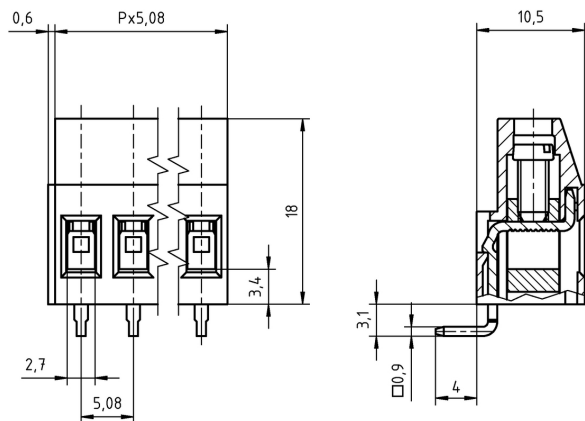
### Technical Data

Wire Sizes		Insulating Material	
Solid min	0.2 mm <sup>2</sup>	Material	PA 6.6
solid max	4.0 mm <sup>2</sup>	Flammability Class	UL 94 V-0
Stranded (flexible) min	0.2 mm <sup>2</sup>	<b>Temperatures</b>	
Stranded (flexible) max	2.5 mm <sup>2</sup>	Operating Temperature	-30 °C - 105 °C
Stranded with Ferrule min	0.25 mm <sup>2</sup>	<b>Wave Soldering Process</b>	
Stranded with Ferrule max	2.5 mm <sup>2</sup>	Soldering Temperature, recommended	265 °C
<b>Dimensions</b>		Peak Soldering Time, recommended	3-4 s
Stripped Length	8.0 mm	<b>Reflow Process</b>	
PCB Hole Diameter	1.3 mm	Soldering Temperature, recommended	-
<b>Materials</b>		Peak Soldering Time, recommended	-
Clamp	Brass		
Screw	Steel		
Solder Tag	Copper Alloy		

### Colours

	GREEN, RAL6018
	GREY, RAL7016
	PEBBLE GREY, RAL7032
	BLUE, RAL5015
	LIGHT GREEN, similar RAL 6018

Colours according to RAL, there may be variations on colour due to production conditions. Special colours on request.



### Order Data (Spacing mm)

Poles	Width (mm)	Article Designation	Article Number	PU
2	10.76	AKZ700/2-5.08-H-GREEN	50700020274F	200
3	15.84	AKZ700/3-5.08-H-GREEN	50700030274F	200
4	20.92	AKZ700/4-5.08-H-GREEN	50700040274F	200
5	26.00	AKZ700/5-5.08-H-GREEN	50700050274F	200
6	31.08	AKZ700/6-5.08-H-GREEN	50700060274E	100
7	36.16	AKZ700/7-5.08-H-GREEN	50700070274E	100
8	41.24	AKZ700/8-5.08-H-GREEN	50700080274E	100
9	46.32	AKZ700/9-5.08-H-GREEN	50700090274E	100
10	51.40	AKZ700/10-5.08-H-GREEN	50700100274D	50
11	56.48	AKZ700/11-5.08-H-GREEN	50700110274D	50
12	61.56	AKZ700/12-5.08-H-GREEN	50700120274D	50

### Accessories

Figure	Designation	Article Number
	Bridge, 2-pole, insulated, BRI/2-5.0/5.08-LIGHT GREY	50000000006
	Bridge, 3-pole, insulated, BRI/3-5.0/5.08-LIGHT GREY	50000000007
	Bridge, 2-pole, BR/2-5.0/5.08-L7.0	50000000008
	Screw cover SC-AK700-YELLOW	50700000004

### Ratings



Usegroup	B	C	D		
Rated Voltage	300 V	-	300 V	250 V	
Rated Current	15 A	-	10 A	24 A	
Rated Wire Size			min		max
	solid	AWG 30-12	-	AWG 30-12	0.5 mm <sup>2</sup> 4.0 mm <sup>2</sup>
	stranded	AWG 30-12	-	AWG 30-12	0.5 mm <sup>2</sup> 2.5 mm <sup>2</sup>
Torque	0.45 Nm		0.45 Nm		0.50 Nm
Screw Size	M3		M3		M3
Test Voltage	1.6 kV		1.6 kV		2.0 kV