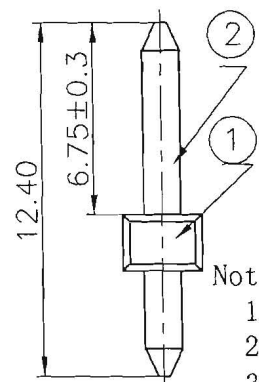
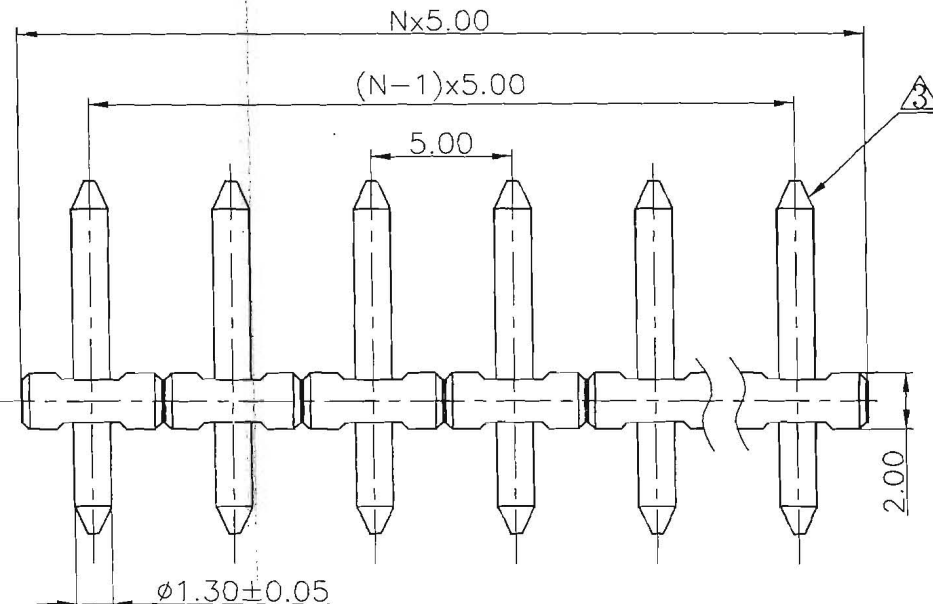


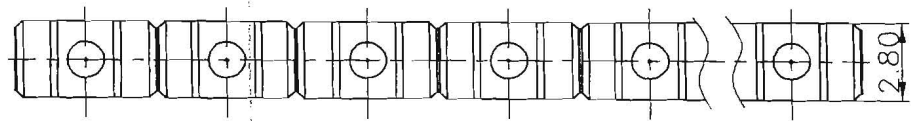
D1RFRD006

REVISION RECORD					
REV	ECO	DESCRIPTION	DRFT	DATE	
△		PA66+25%GF代替聚PBT料	Hooyh	05/10/11	
△		PA66+10%GF代替PA66+25%GF	WF	08/12/08	
△	12-0139	修改针头部尺寸	ZMT	07/07/12	



Notes:

1. Rated voltage: 300V
2. Rated current: 10A
3. Insulation resistance: 5000MΩ/DC1000V
4. Withstanding voltage: AC1500V/1min
5. Temp. Range:  $-40^{\circ}C \sim +105^{\circ}C$
6. Undimensioned Tolerances:



Pitch range in mm		Nominal dimension range in mm						
	over 6	over 10		over 6	over 30	over 90	over 200	∩
to 6	to 10	to 24	to 6	to 30	to 90	to 200	to 480	□
$\pm 0.10$	$\pm 0.15$	$\pm 0.25$	$\pm 0.1$	$\pm 0.2$	$\pm 0.3$	$\pm 0.5$	$\pm 0.7$	0.05/0.10

2	DG332-Pin header	4014B00010 (H)	XX	Brass	SnCe												
1	DG332J-5.0-Housing	4014A0YXXA (H)	1	PA66+10%GF	UL94V-0												
ITEM	NAME OF PART	NO. OF PART	Q'TY	MATERIAL	NOTES												
<table border="1"> <thead> <tr> <th>MM (INCH)</th> <th>DFTO Hooyh</th> <th>DATE 05/12/05</th> </tr> </thead> <tbody> <tr> <td>CHKD</td> <td>DATE</td> <td></td> </tr> <tr> <td>MFO</td> <td>DATE</td> <td></td> </tr> <tr> <td>APPRV</td> <td>DATE</td> <td></td> </tr> </tbody> </table>		MM (INCH)	DFTO Hooyh	DATE 05/12/05	CHKD	DATE		MFO	DATE		APPRV	DATE		宁波高正电子有限公司 <b>DEGSON</b> ® DEGSON ELECTRONICS CO., LTD			
MM (INCH)	DFTO Hooyh	DATE 05/12/05															
CHKD	DATE																
MFO	DATE																
APPRV	DATE																
<table border="1"> <thead> <tr> <th>MM</th> <th></th> </tr> </thead> <tbody> <tr> <td>.0 ±</td> <td>±</td> </tr> <tr> <td>.00 ±</td> <td>±</td> </tr> <tr> <td>.000 ±</td> <td>±</td> </tr> </tbody> </table>		MM		.0 ±	±	.00 ±	±	.000 ±	±	NAME							
MM																	
.0 ±	±																
.00 ±	±																
.000 ±	±																
<table border="1"> <thead> <tr> <th>ANGLES ± 1'</th> <th>G.E :</th> </tr> </thead> <tbody> <tr> <td></td> <td></td> </tr> </tbody> </table>		ANGLES ± 1'	G.E :			DG332J-5.0-XXP-1Y-00A(H)											
ANGLES ± 1'	G.E :																
<table border="1"> <thead> <tr> <th>FINISH :</th> <th>G.E :</th> </tr> </thead> <tbody> <tr> <td></td> <td></td> </tr> </tbody> </table>		FINISH :	G.E :			DRAWING NO. DG332J-5.0-E05		SIZE	REV								
FINISH :	G.E :																
<table border="1"> <thead> <tr> <th>THIRD ANGLE PROJECTION</th> <th>SCALE : 1:1</th> </tr> </thead> <tbody> <tr> <td></td> <td></td> </tr> </tbody> </table>		THIRD ANGLE PROJECTION	SCALE : 1:1			/PART NO.		A3	T3								
THIRD ANGLE PROJECTION	SCALE : 1:1																
DO NOT SCALE DRAWING				SHEET 1	OF 1												

